

€

4410 US, WTA 4410 CN



**BOSCH**

Invented for you

# Table of Contents

<b>Definitions</b> .....	<b>3</b>
<b>IMPORTANT SAFETY INSTRUCTIONS</b> .....	<b>4</b>
GROUNDING INSTRUCTIONS .....	5
<b>INSTALLATION INSTRUCTIONS</b> .....	<b>6</b>
Introduction .....	6
Information concerning waste disposal .....	6
Before installing the dryer .....	6
Installation location .....	7
Electrical connection .....	8
Exhaust air connection .....	10
Installation – step by step .....	11
Check list before using the dryer .....	12
Preparing to transport the dryer – step by step .....	12
<b>OPERATING INSTRUCTIONS</b> .....	<b>13</b>
Your new dryer .....	13
Panel .....	14
<b>Summary of instructions</b> .....	<b>15</b>
<b>Safety information</b> .....	<b>16</b>
Intended Use .....	16
Before switching on the dryer .....	16
Using the dryer .....	16
Protecting the dryer .....	16
<b>Protection of the environment</b> .....	<b>16</b>
<b>Before using the dryer for the first time</b> .....	<b>17</b>
<b>Temporary disconnection of the dryer</b> .....	<b>17</b>
<b>Laundry</b> .....	<b>17</b>
Identification of fabrics .....	17
Drying tips .....	17
<b>Program selection</b> .....	<b>18</b>
Automatic programs .....	18
Time programs .....	18
Options .....	18
Indicator of program sequence .....	18
Timer programming function .....	18
<b>Program selection table</b> .....	<b>19</b>
<b>Operation</b> .....	<b>20</b>
Using the dryer .....	20
Adding laundry .....	21
Programming the timer .....	21
<b>Cleaning and care</b> .....	<b>22</b>
Cleaning the dryer .....	22
Cleaning the lint filter .....	22
Cleaning the exhaust duct .....	22
Cleaning the moisture sensor .....	22
<b>Troubleshooting</b> .....	<b>23</b>
SERVICE and REPAIR .....	24
<b>STATEMENT OF WARRANTIES BOSCH CLOTHES DRYERS</b> .....	<b>25</b>
Exclusions .....	25

Congratulations on having selected a Bosch clothes dryer, the choice of those demand exceptional drying performance and care from their clothes dryer.

This dryer complies with UL 2158 Clothes Dryers

A distinctive feature of your dryer is low energy consumption.

An easy operation philosophy, a variety of customized drying programs and a solid touch and feel make this appliance a user-friendly unit in your household.

The Bosch dryer offers the following standard features:

- High efficiency precision drying system
- Stainless steel drum with a capacity up to 11 lbs (5 kg)
- Door lock with automatic drum stop function
- Exceptionally quiet operation
- Sensor controlled auto cycles
- Timed cycles up to 60 minutes
- Wrinkle block function

Each dryer which leaves our factory has undergone a thorough performance test and is in full working condition. If you have any questions, especially concerning installation of the dryer, our customer service team will be happy to assist you.

Further information and a selection of our products can be found on our web site:  
[www.boschappliances.com](http://www.boschappliances.com)

### Information

Please read and follow these operating and installation instructions and all other information enclosed with the dryer.

## Definitions

### **DANGER**


**DANGER** – This indicates that death or serious injuries may occur as a result of not observing this warning.

### **WARNING**

**WARNING**– This indicates that injuries or significant damage may occur as a result of not observing this warning.

### **CAUTION**

**CAUTION** – This indicates that minor injuries or damage may occur as a result of not observing this warning.

 This symbol is used to draw the user's attention to important matters.

# IMPORTANT SAFETY INSTRUCTIONS

## **WARNING**

To reduce the risk of fire, electric shock, serious injury or death to persons and /or damage when using your dryer, follow basic precautions, including the following.

1. Read all instructions before using the dryer. Bosch dryers are provided with Operating, Care and Installation Instructions.
2. Do not dry articles that have been previously cleaned, washed, soaked, or spotted with gasoline, dry cleaning solvents, other flammable or explosive substances, as they give off vapors that could ignite or explode.
3. Do not allow children to play on or with the appliance. Close supervision of children is necessary when the appliance is used near children.
4. Before the appliance is removed from service or discarded, remove the door to the drying compartment.
5. Do not reach into the appliance if the drum is rotating.
6. Do not install or store this appliance where it will be exposed to the weather.
7. Do not tamper with the controls.
8. Do not repair or replace any part of the appliance or attempt any service unless specifically recommended in the user-maintenance instructions or in published user repair instructions, that you understand and have the skills to carry out.
9. Do not use fabric softeners or products to eliminate static unless recommended by the fabric manufacturer.
10. Do not use heat to dry articles containing foam rubber (may be labeled latex foam) or similarly textured rubber-like materials. Foam rubber materials can ignite by spontaneous combustion.
11. Clean lint screen before or after each load.
12. Keep area around the exhaust opening and adjacent surrounding areas free from the accumulation of lint, dust and dirt. An obstructed port might reduce the airflow.
13. The interior of the machine and exhaust duct should be cleaned periodically by qualified service personnel.
14. Always be sure to unplug the dryer from the electrical supply before attempting any service. Disconnect the power cord by grasping the plug, not the cord.
15. Store all laundry chemicals and aids in a cool dry place according to the manufacturer's instructions in an area where children cannot reach them.
16. To reduce the risk of fire, clothes, cleaning rags, mop heads and the like which have traces of any flammable substance, such as vegetable oil, cooking oil, petroleum based oilsthe

- 27. Do not operate this dryer until you are sure that the dryer has been installed according to the INSTALLATION INSTRUCTIONS and that installation and grounding are in compliance with all local regulations and/or other applicable regulations and requirements.
- 28. Failure to install, maintain and/or operate the dryer according to the manufacturer's instructions may result in injury and/or damage.
- 29. To avoid floor damage and mold growth, do not let spills or splashout cause standing water around or under the appliance.

**Notes:**

- A The IMPORTANT SAFEGUARDS and WARNINGS presented in this manual do not cover all possible conditions that may occur. Common sense, caution and care must be exercised when installing, maintaining or operating the dryer.
- B Always contact your dealer, distributor, service agent or the manufacturer about any problems or conditions that you do not understand.
- C Follow also the Safety Information in the INSTALLATION INSTRUCTIONS and the OPERATING INSTRUCTIONS.

## GROUNDING INSTRUCTIONS

This appliance must be grounded. In the event of malfunction or breakdown, grounding will reduce the risk of electric shock by providing a path of least resistance for the electric current.

**For CANADA**

This appliance is equipped with a cord having an equipment-grounding conductor and a grounding plug. The plug must be plugged into an appropriate outlet that is properly installed and grounded in accordance with all local codes and ordinances.

## ⚠ WARNING ⚠

Improper connection of the equipment grounding conductor can result in a risk of electric shock.

Check with a qualified electrician or serviceman if you are in doubt as to whether the dryer is properly grounded.

DO NOT modify the plug provided with the appliance. If it will not fit the outlet, have a proper outlet installed by a qualified electrician.

## KEEP THESE INSTRUCTIONS FOR FUTURE REFERENCE.

In case of change of ownership, manual should be conveyed with the dryer.

# SAVE THESE INSTRUCTIONS

# INSTALLATION INSTRUCTIONS

## Introduction

Read these installation instructions completely and carefully. They will save you time and effort and help to ensure optimum dryer performance. Be sure to observe all listed warnings and cautions.

These installation instructions are intended for use by qualified installers. In addition to these instructions, the dryer must be installed in accordance with all local codes or, in the absence of a local code:

- In the **U.S.A.**, in accordance with the National Electric Code, ANSI/NFPA70 – latest edition/State and Municipal codes and/or local codes.
- In **Canada**, in accordance with the Canadian Electric Code C22.1 – latest edition/Provincial and Municipal codes and/or local codes.

## Information concerning waste disposal

### Disposal of the packaging

#### **DANGER**

Keep children away from shipping carton and packaging components. Danger of suffocation from plastic foil and folding cartons.

All packaging materials are environmentally friendly and can be reused. Please dispose of packaging in an environmentally friendly manner.

Please ask your dealer or inquire at your local authority about the current means of disposal.

### Disposal of the old appliance

#### **DANGER**

If appliance is no longer usable, pull out mains plug, cut off power cord and discard with mains plug.

To prevent children from locking themselves in the appliance, remove the door.

Old appliances are not worthless rubbish! Valuable raw materials can be reclaimed from environmentally friendly recycling.

Please ask your dealer or inquire at your local authority about the current means of disposal.

## Before installing the dryer

### Unpacking the appliance

#### **WARNING**

The dryer is very heavy. Do not lift it by yourself. Do not lift the appliance by projecting components (e.g. door) – due to risk of breakage.

#### **CAUTION**

Remove the appliance packaging carefully to prevent damage to the surfaces.

Check the dryer for transportation damage. Do not connect a dryer which is visibly damaged. If in doubt, contact your dealer.

### Supplied components

#### For U.S.A.

#### **CAUTION**

The dryer is supplied without a power cord. The power cord must be connected by qualified persons only.

#### **CAUTION**

After removing the packaging, immediately remove any objects from the drum.

The dryer is delivered as a complete unit. The operating instructions can be found in the drum.

## Installation location

### **⚠ WARNING ⚠**

Do not install the dryer:

- outdoors
- in an environment with dripping water,
- near flammable materials,
- in rooms which are at risk of frost,
- in rooms which may contain gas or other fuels,
- in cupboards with lockable doors or in alcoves.

The room where the unit will be installed must be well ventilated, otherwise the dryer will operate below optimum performance.

Do not operate the dryer at temperatures above 104°F (40°C) and below 41°F (5°C).

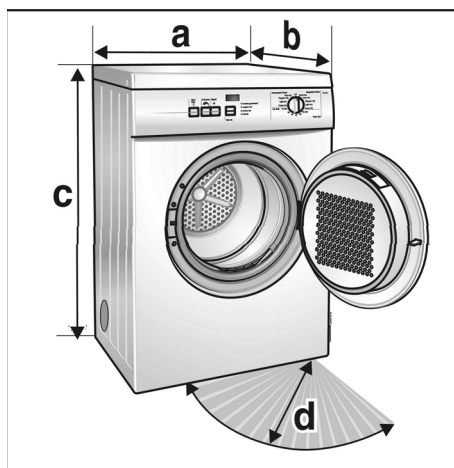
Low temperatures affect the automatic program sequence and may prolong the drying times.

The installation surface for the dryer must be clean, level and firm.

Do not install the appliance on carpets! Compensate for uneven floors with the height-adjustable feet.

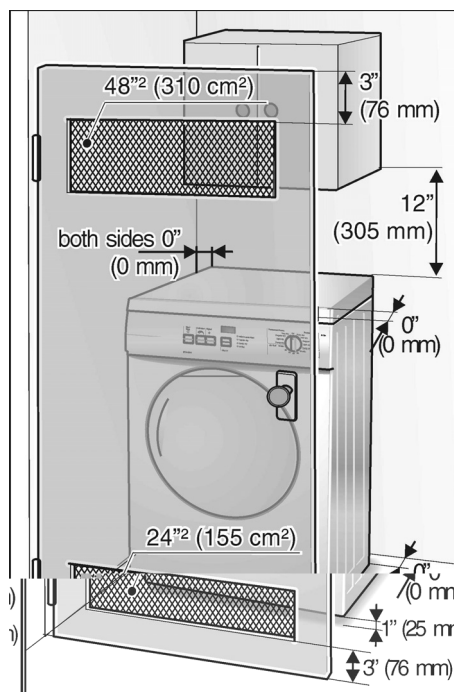
Install the dryer and level side to side and front to back. Use a bubble level. Never remove the height-adjustable feet!

The size of the installation area depends on the dimensions of the dryer. Ensure that there is adequate room for the swivel range of the door!



	Dimension	Weight
a	23.6" (60 cm)	100 lbs
b	23.6" (59 cm)	(45 kg)
c	33.5" (85 cm)	with packaging
d	15.7" (40 cm)/ angle 120 – 130°	118 lbs (53 kg)

If installing the dryer in a closet, observe the minimum distances according to the following figure:



Minimum Installation Clearances

Closet	
Both sides	0" (0 mm)
Top	12" (305 mm)
Rear	0" (0 mm)
Front	0" (0 mm)
Bottom	1" (25 mm)

### Important information concerning minimum distances

(see page 10 too):

- Distances above the indicated minimum dimensions reduce the risk of mold formation behind the appliance.
- Additional distances reduce noise transmission.
- Additional distances facilitate installation and service.
- If the dryer is installed in a small room, the doors of the room must be fitted with vents of a specified minimum size.

### Washer-dryer connection set

The dryer can be placed on top of a Bosch washer of the same dimensions to save space.

Use the special washer-dryer connection sets which can be obtained from customer service or your local dealer.

- WTZ11340UC washer-dryer connection set (standard)
- WTZ11350UC washer-dryer connection set with tray to pullout

### **⚠ WARNING ⚠**

For reasons of safety, the dryer must be installed by an expert. Always use the connection set to secure the dryer to the washer – risk of injury.

## Electrical connection

### **WARNING**

Power cord must be connected by a qualified person only.

Connect to individual Branch Circuit.

Do not use an adapter.

Do not use an extension cord.

Do not remove ground prong.

### For CANADA

Your dryer comes with a 4-wire power supply cord, CSA listed in Canada.

The Bosch dryer requires a 4-wire receptacle.



When installing the receptacle for the dryer cord, ensure that the power supply cord is accessible when the dryer is in the installed position.

The power cord should only be replaced by a qualified person. Use a 4-wire power supply cord (see electrical connection U.S.A. below).

### For U.S.A.

Your dryer comes without a power supply cord. The power cord must meet the following requirements:

- UL listed in the USA
- 240 V minimum rated
- 30 A rated
- Type SRDT
- Five feet long (minimum)
- closed-loop terminals or open-end spade lugs with upturned ends

## Connecting 4-wire power supply cord

### **WARNING**

Power cord must be connected by a licensed electrician only.

Use only a U.L. approved 30 amp power cord with strain relief clamp – note manufacturer's instructions.

Do not plug end of power cord into a live receptacle before connecting power cord to appliance terminals and closing junction/splitter box as described below.

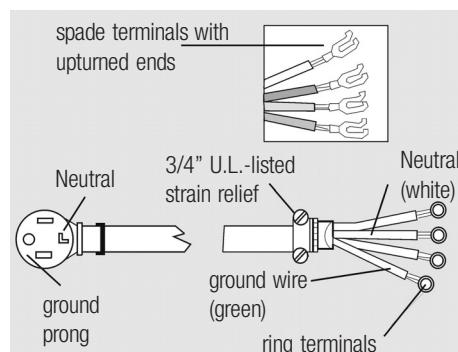
Do not reuse old power cord. Cord must have closed loop or upturned end wire terminating connectors.

Do not make a sharp bend or crimp wiring/conductor at connections.

Only a 4-conductor cord shall be used when the appliance is installed in a mobile home or an area where the local codes do not permit grounding through the neutral.

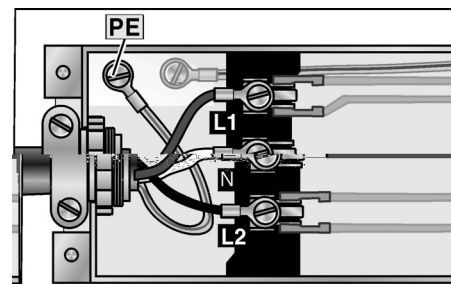
### Note:

Four-wire power supply cord must have four, AWG No.-10 copper wires and match a four-wire receptacle of NEMA Type 14-30R. The fourth wire (ground conductor) must be identified with a green cover and the neutral conductor by a white cover.



To connect power cord:

1. Remove the screws from the cover of the junction box located at the top rear of the dryer.
2. Loosen/remove the two screws on the strain relief clamp and remove from 4-wire supply cord. The strain relief splits into two identical parts.
3. Insert the large flange of both sections into the hole located on the side of the junction box housing and fixed by coupling nut from inside the box. The short flange of both sections and screws must remain positioned on the external side of the junction box housing.
4. Insert the 4-wire supply cord through both sections of the strain relief and re-install strain relief screws, do not fully tighten until electrical connections are complete.



5. Attach the power cord ground conductor (green wire) to the ground terminal hole marked in the figure with **PE**. Tighten the screw until ground conductor is secure.
6. Attach the power cord neutral conductor (white wire) to the neutral terminal (marked **N**). Tighten screw until neutral conductor is secure.
7. Attach the power cord phase conductor (black wire) to one of the phase terminals (marked **L2**). Tighten screw until power conductor is secure.

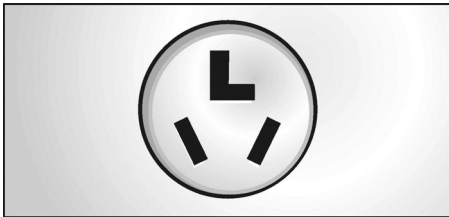


8. Attach the power cord phase conductor (red wire) to the other phase terminal (marked L1). Tighten screw until power conductor is secure.
9. Tighten the screws on the strain relief so that the power cord cannot be moved.
10. Re-install the cover of the junction box and secure with four screws removed earlier.

The appliance is now ready to be plugged into the 4-wire receptacle of the power rating.

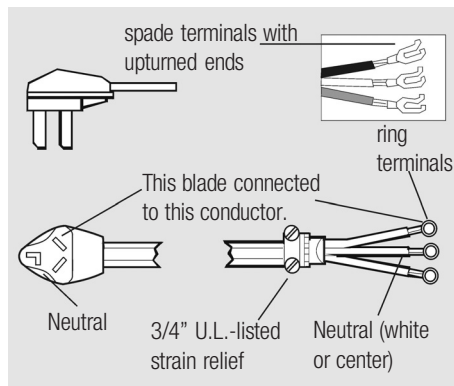
### Connecting 3-wire power supply cord

If your receptacle is a 3-wire receptacle as shown below, you must obtain a 3-wire dryer cord. Dryer cord can usually be found at your local hardware supply, electrical supply or home center. Cord should have closed loop or upturned end wire terminating connectors.



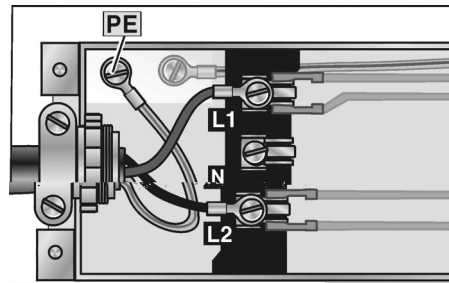
#### Note:

Three-wire power supply cord must have three, AWG No.-10 copper wires and match a three-wire receptacle of NEMA Type 10-30R.



To connect power cord:

1. Remove the screws from the cover of the junction box located at the top rear of the dryer.
2. Loosen/remove the two screws on the strain relief clamp and remove from 3-wire supply cord. The strain relief splits into two identical parts.
3. Insert the large flange of both sections into the hole located on the side of the junction box housing and fixed by coupling nut from inside the box. The short flange of both sections and screws must remain positioned on the external side of the junction box housing.
4. Insert the 3-wire supply cord through both sections of the strain relief and re-install the strain relief screws, do not fully tighten until electrical connections are complete.



5. Attach the power cord ground conductor (green wire) to the ground terminal hole marked in the figure with **PE**. Tighten screw until ground conductor is secure.
6. Attach the two remaining power cord phase conductors to the phase terminals (L2 = black wire and L1 = red wire). Tighten screws so that the power conductors are secure.
7. Tighten the screws on the strain relief so that the power cord cannot be moved.

8. Re-install the cover of the junction box and secure with four screws removed earlier.

The dryer is now ready to be plugged into the 3-wire receptacle, of the proper rating.

### Additional grounding procedure

- Some local regulations may require a separate ground. In such cases, the required accessory ground wire, clamp and screw must be purchased separately.
- Never ground the dryer to plastic plumbing lines, gas lines or water pipes.

## Grounding instruction

This appliance must be grounded. In the event of a malfunction or breakdown, grounding will reduce the risk of electric shock by providing a path of least resistance for the electric current.

### For CANADA

This appliance is equipped with a cord having an equipment-grounding conductor and a grounding plug. The plug must be plugged into an appropriate outlet that is properly installed and grounded in accordance with all local codes and ordinances.

## ⚠ WARNING ⚠

Improper connection of the equipment grounding conductor may result in electric shock. Have the appliance checked by a qualified electrician or service technician if you are in doubt as to whether the dryer has been properly grounded.

## Exhaust air connection

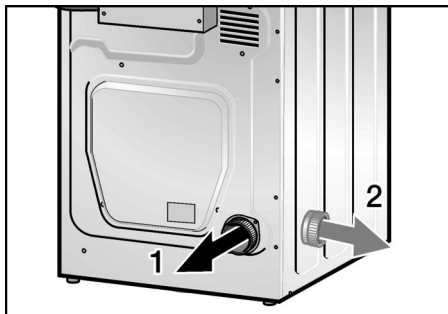
### **⚠ WARNING ⚠**

1. To reduce the risk of fire, this dryer **MUST BE EXHAUSTED OUTDOORS**.
2. To reduce the risk of fire, do not use ducting longer than recommended.
3. To reduce the risk of fire, only use rigid or flexible metal duct.
4. **DO NOT** use a duct smaller than 4 inches in diameter.
5. **DO NOT** use exhaust hoods with magnetic latches.
6. **DO NOT** exhaust the dryer into a chimney, furnace cold air duct, attic, crawl space, or any other ductwork used for venting.
7. **DO NOT** install a flexible duct in an enclosed wall, ceiling or floor.
8. **DO NOT** crush or kink the duct.
9. Do clean and inspect the exhaust system on a regular basis; at least once a year.
10. The exhaust duct must terminate in a manner to prevent back drafts or entry of animals.

To prevent build-up of moisture and accumulation of lint indoors, as well as to maintain maximum drying efficiency, this dryer must be exhausted outdoors.

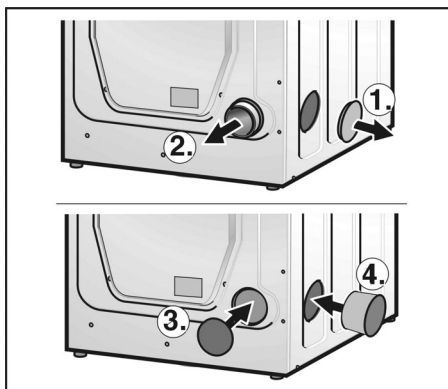
- i** Position the exhaust air duct so that there is no counter-pressure (e.g. from wind) on the exhaust outlet.

There are exhaust air outlets in the rear panel of the dryer (1) and in the left side wall (2).

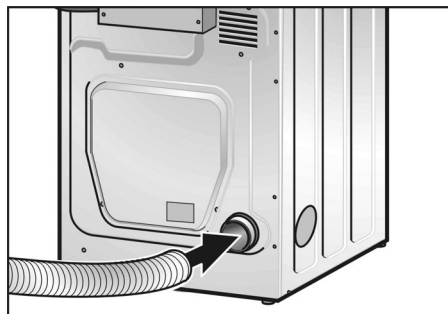


Select the most suitable exhaust air outlet after installing the dryer.

Change the exhaust tube to the suitable position and cover the other outlet with the fascia cover – turn it in a clockwise direction.



Place the end of the exhaust air duct in the air outlet without bending the duct. Use duct clamp to secure the air duct. The exhaust air duct should only be positioned horizontally or vertically and never left to sag.



## Ductwork

To ensure optimum performance, the ducting system of the dryer should be as short as possible with a minimum number of elbows. Your dryer will work best when the venting system has as few air flow restrictions as possible. Exhaust ducting which is longer than recommended may extend drying time, cause lint to accumulate and affect dryer performance and dryer life-time.

Whether connecting to an existing venting system or a new venting system, make sure that all ducting is clean and free of lint.

The maximum permitted length for both rigid and flexible metal duct is shown in the tables below.

Exhaust air outlet in the **rear panel** of the dryer:

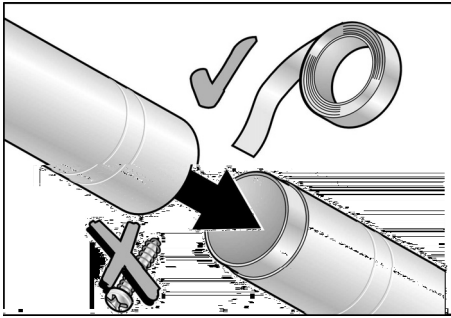
Number of 90° Turns or Elbows	Rigid Duct	Flexible Duct
0	30 ft. (914 cm)	20 ft. (610 cm)
1	22 ft. (671 cm)	15 ft. (457 cm)
2	14 ft. (427 cm)	9 ft. (274 cm)
3	6 ft. (183 cm)	4 ft. (122 cm)

Exhaust air outlet in the **left side wall** of the dryer:

Number of 90° Turns or Elbows	Rigid Duct	Flexible Duct
0	22 ft. (671 cm)	15 ft. (457 cm)
1	14 ft. (427 cm)	9 ft. (274 cm)
2	6 ft. (183 cm)	4 ft. (122 cm)

Four-inch (approx. 100 mm) diameter ducting should be used. Use either rigid metal or flexible metal ducting material. DO NOT use plastic or non-metal duct with this dryer.

DO NOT assemble the ductwork with screws or fasteners that extend into the duct. They will serve as an accumulation point for lint. Joints should be secured with duct tape.

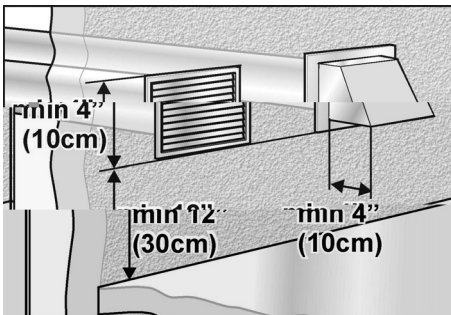


All joints should be tight to avoid leaks. The male end of each duct section must point away from the dryer.

### Exhaust vent hood

The exhaust duct must end with an approved exhaust vent hood with swing out damper(s). DO NOT use an exhaust vent hood with magnetic latches.

To avoid exhaust restriction, the outlet must be a minimum of 12 inches (30 cm) above ground level or any other obstructing surface.



## Installation – step by step

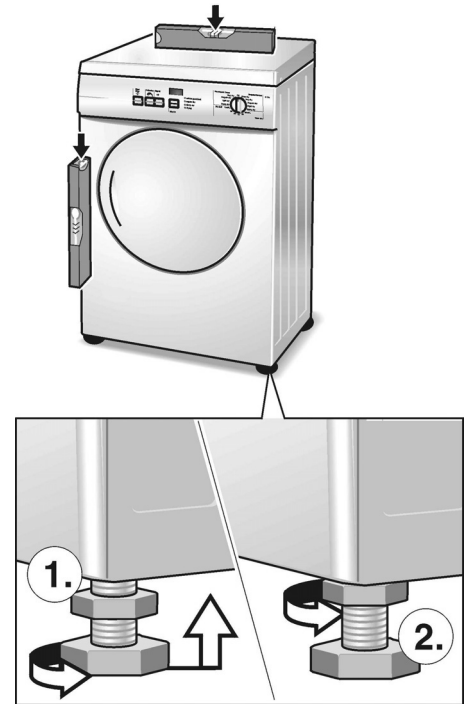
1. Unpack the dryer.
2. Remove all objects from the drum.
3. Check the dryer for visible damage.
4. Position the dryer near the installation location.
5. If required, have the power supply cord fitted by an electrician (see page 8).

- i** If space is very restricted, it is recommended to fit the exhaust air duct to the dryer before the dryer is moved to its final installation location.
6. Connect the exhaust air duct to the exhaust air outlet on the dryer. Fix the air duct with duct clamp.
  7. Move the dryer to its final location and align.

### CAUTION

Do not slide dryer across the floor if height-adjustable feet have been extended. Feet and/or dryer base may be damaged if dryer is slid across floor with height-adjustable feet extended.

8. Position and then level the dryer.



The dryer should be level with all four feet firmly on the ground. The dryer must not wobble. If the dryer is not level or if it does wobble, the feet must be adjusted. Adjust the height-adjustable feet until the dryer does not rock and is level, both front-to-back and side-to-side.

9. Insert plug into the wall receptacle.

## Check list before using the dryer

1. Check that steps 1–9 have been implemented properly.
2. Ensure that the dryer is connected to the power supply.
3. Read the operating instructions to understand how your dryer operates.
4. Conduct an appliance test:
  - Check that the drum is empty.
  - Close the dryer door.
  - Switch the dryer to "Extra Dry" and then press the Start button.
  - After 3–5 minutes switch the dryer to "Off" and open the door.
5. If the interior of the dryer feels warm, the dryer has been connected properly.
6. If the dryer does not work, switch the dryer to "Off". Look in the troubleshooting section (page 23) of the OPERATING INSTRUCTIONS and find the problem.

## Preparing to transport the dryer – step by step

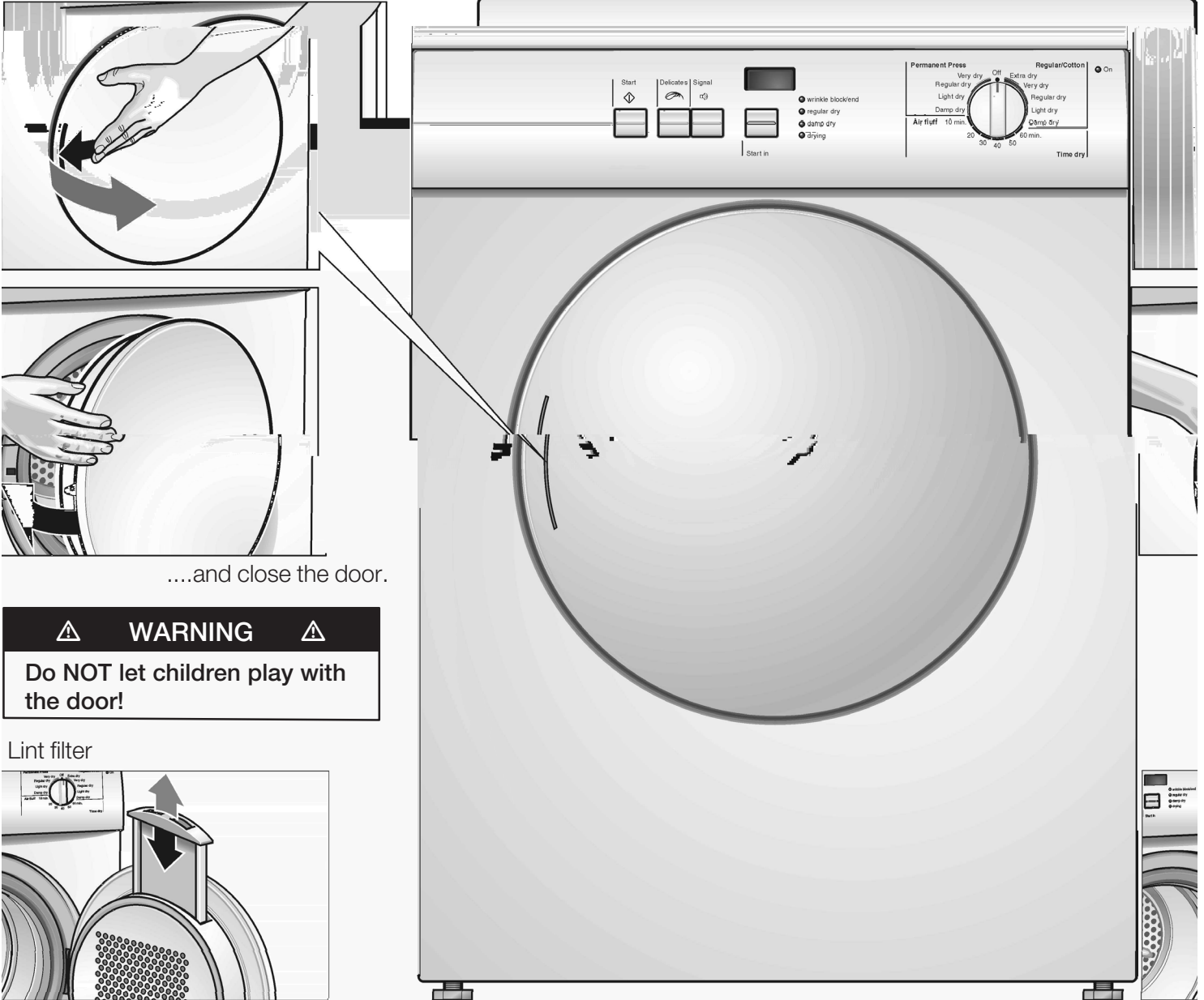
1. Rotate the program selector to "Off".
2. Pull out the power supply plug.
3. Disconnect the exhaust air duct from the exhaust air outlet on the dryer.
4. Place any accessories in the drum.
5. Close the door and secure with adhesive tape.
6. Screw the height-adjustable feet of the dryer into the housing to prevent them from being damaged during transportation.

# OPERATING INSTRUCTIONS

## Your new dryer

Your new dryer has a push pressure switch.

Open the door with a slight push...



....and close the door.

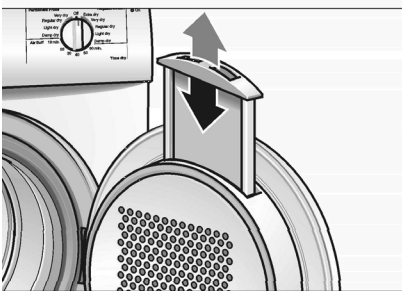


**WARNING**



Do NOT let children play with the door!

Lint filter



# Panel

**Start button**  
Starts the drying process.

**Buttons for Options** (in addition to the program if required). See page 18.

**Delicates**

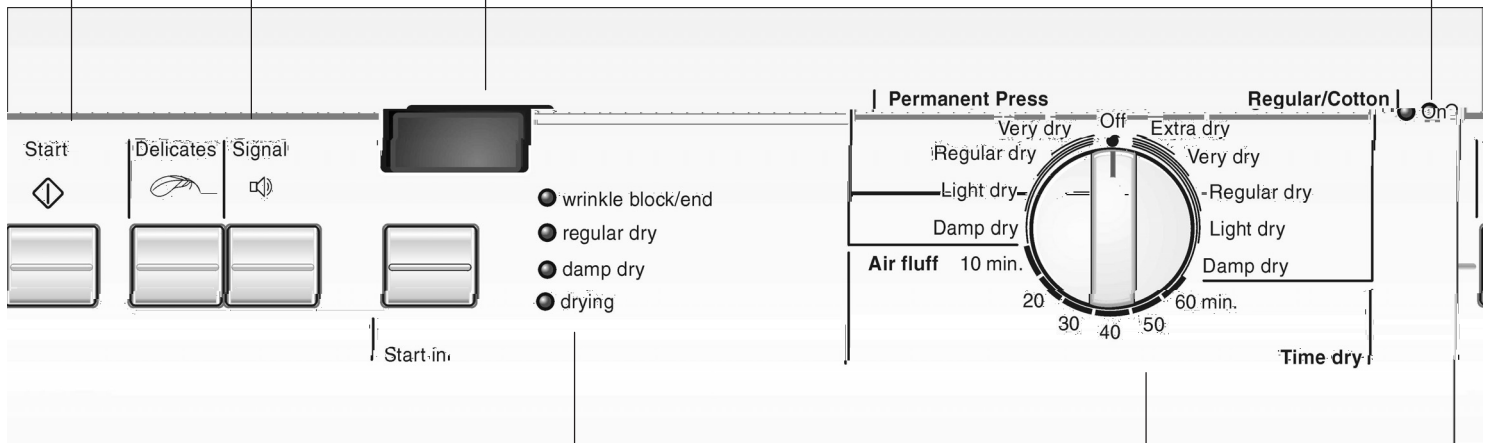
Press for temperature-sensitive textiles (e.g. acrylic fibers). The temperature of the drying process is reduced, the drying time is extended correspondingly.

**Signal**

An acoustic signal indicates the start and the end of the drying program.

**Display**  
Shows the "Start in" time (Timer programming function).

**Indicator light (LED)**  
Lights up when the dryer is switched on.



**Indicator lights (LED)**  
Indicate the current state of the drying process.

**Program selector**  
Selects a program. See page 18. Can be rotated in both directions.

To switch off the dryer, rotate the program selector to "Off".

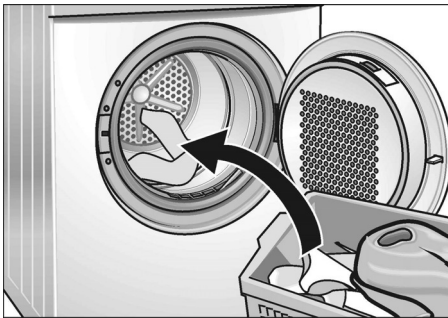
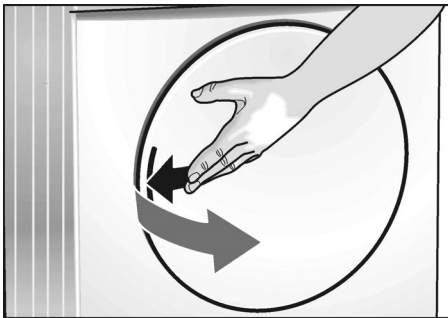
# Summary of instructions

## ⚠ WARNING ⚠

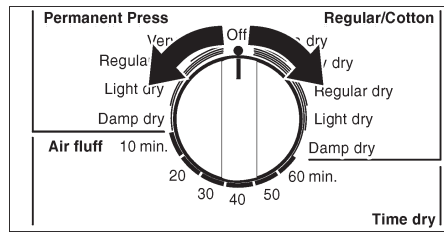
Before using your dryer read and follow all installation and operating instructions.

## Preparing the dryer

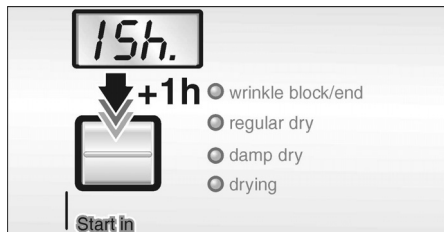
**i** Check the lint filter. The filter should be cleaned before and after every drying process.



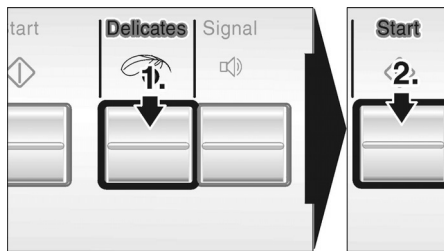
## Selecting a program



## Setting the start delay (if required)

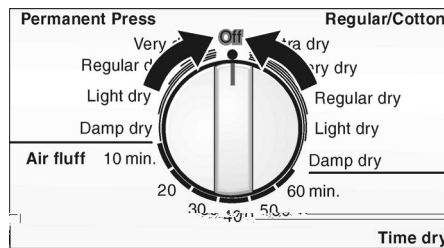


## Choose an option...

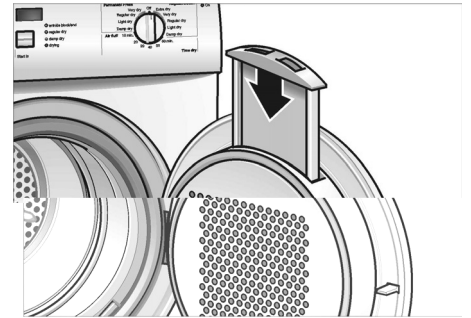
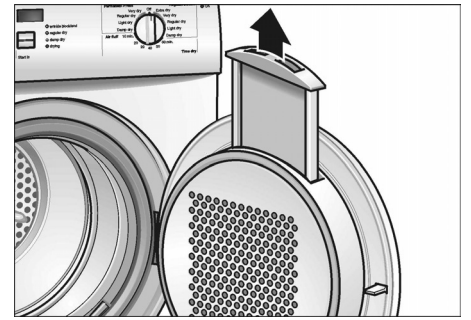


...and start the dryer.

## Switch off the dryer



## Clean the lint filter



# Safety information

## **DANGER**

Always follow the IMPORTANT SAFETY INSTRUCTIONS (see page 4).

## **DANGER**

### **EXPLOSION HAZARD!**

Keep flammable materials and vapors, such as gasoline, away from the dryer.

Do not dry anything that has ever had anything flammable on it (even after washing).

Do not dry anything that has ever had any type of oil on it (including cooking oils).

Items containing foam, rubber or plastic must be dried on a clothes-line or by using an Air fluff-cycle.

Do not allow items containing flammable materials, such as lighters, to remain in clothes while drying.

Failure to follow these instructions may result in explosion or fire.

**Risk of death or injury!**

## Intended Use

Use the dryer only in the house and for drying normal amounts of laundry for the household.

Use only for drying textiles which were washed with water.

## Before switching on the dryer

Install the dryer in accordance with the installation instructions (from page 6).

Do not use a dryer which is visibly damaged. If in doubt, contact your dealer.

## Using the dryer

Do not leave children unsupervised near the dryer.

Keep pets away from the dryer. Before closing the door, check the contents of the drum.

Remove all objects from pockets. Lighters are particularly hazardous.

### **Risk of explosion!**

Switch off the dryer at the end of the program.

## Protecting the dryer

Do not climb on the dryer.

Do not lean or sit on the door.

### **Risk of dryer tipping over!**

Do not store or use solvent detergent boosters or stain remover in the vicinity of the dryer. The dryer could be damaged.

Do not lift the dryer by projecting components (e. g. door).

### **Risk of breakage and injury!**

# Protection of the environment

## Tips on saving energy

To save energy, money and time, Bosch recommends the following:

- **Drain the laundry thoroughly!**  
Before drying, spin the laundry thoroughly in the washing machine. Use the highest possible spin speed for the type of laundry! Higher spin speeds reduce the drying time and the energy consumption.
- **Use optimum load!**  
Use maximum recommended loads. However, do not exceed loads.
- **Clean filter!**  
Clean the filter before and after each drying process (see page 22).
- **Ventilate the room!**  
During the drying process provide an adequate supply of fresh air.
- **Do not dry unsuitable materials!**  
Do not dry rubberized or air-tight items.
- **Do clean and inspect the exhaust system on a regular basis!**  
Blockages may extend drying time.



---

## Before using the dryer for the first time

Before you use the dryer for the first time:

1. Read these operating instructions carefully.
2. Check that the supply voltage corresponds with the voltage specifications on the rating plate of the dryer (see picture page 24).
3. Remove all objects from the drum.
4. Check the dryer for visible damage. If damages are found contact your dealer.
5. Wipe the inside of the drum with a damp cloth.
6. Conduct an appliance test, see page 12.
7. If the dryer does not work, switch the dryer to "Off". Look in the troubleshooting section (page 23) of the operating instructions and find the problem.

---

## Temporary disconnection of the dryer

Operate your dryer only when you are at home. If you go on vacation or are not using your dryer for an extended period of time, you should:

1. Turn off the circuit breaker.
2. Unplug the dryer.
3. Clean the lint filter.

---

## Laundry

### Identification of fabrics

Observe the treatment symbols on the textile labels. They provide valuable information as well as limitations about the drying process.

Do not dry the following textiles in the dryer:

- Air-tight textiles (e.g. rubberized)
- Delicate fabrics (silk, synthetic curtains)

**i** Use the time program "Air fluff" to dry articles containing foam rubber or similarly textured rubber-like materials.

### Drying tips

In principle, the following applies to all drying programs:

- To ensure a uniform drying result, sort the laundry according to fabric type and drying program.
- Fasten zippers, hooks and eyes. Fasten loose belts, apron strings, etc.
- Do not overdry easy-care laundry – risk of wrinkling! Leave laundry to dry in the air.
- Do not iron laundry immediately after drying. Place the laundry in a pile for a short while. Residual moisture will then be distributed uniformly.
- Knitted textiles (e.g. T-shirts, cotton jersey laundry) often shrink when dried for the first time. Do not use the "Very dry/Extra dry" program.

# Program selection

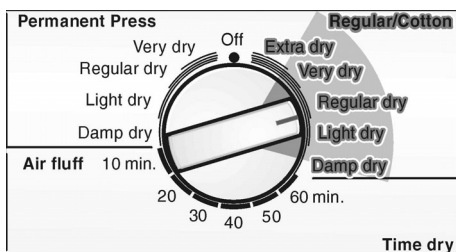
For optimum drying results your dryer offers several program groups and additional options.

Select the required drying program from the program table according to the examples (see page 19).

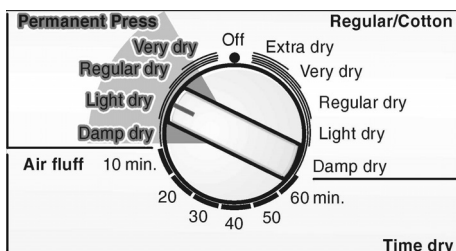
## Automatic programs

There are automatic programs for different types of textiles. (Regular/Cotton or Permanent Press).

### Regular/Cotton

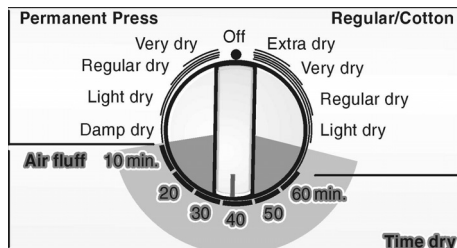


### Permanent Press



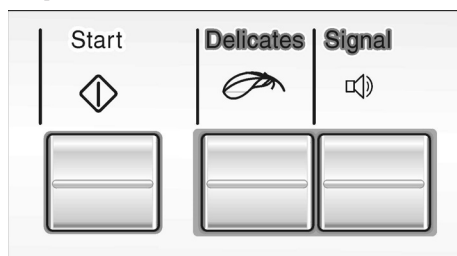
The program sequence of automatic programs is controlled via sensors. The duration of the program depends on the measured degree of moisture in the laundry and on the selected degree of dryness (e.g. damp dry or extra dry).

## Time programs



Time programs run for a specific time (20, 30, 40, 50, 60 minutes). In the "Air fluff" stage the dryer runs on ambient air without a heat supply for 10 minutes.

## Options



### Delicates

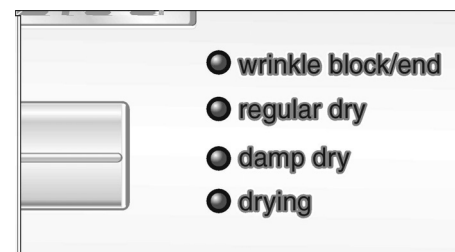
Press the **Delicates** button for temperature sensitive textiles. Observe the care information or symbols on the textiles. The temperature of the drying process is reduced, the drying time is extended.

### Signal

Your dryer signals the start and the end of drying programs, if the **Signal** button is pressed.

## Indicator of program sequence

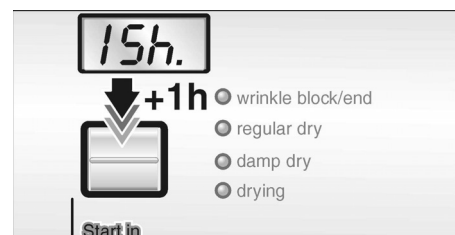
The dryer uses an electronic scanning system for all programs except the time programs. A moisture sensor continuously checks the moisture in the laundry. Drying ends automatically as soon as the selected degree of dryness has been reached.



The current degree of drying and the level reached during the program sequence is indicated via indicator lights (drying, damp dry, regular dry, wrinkle block/ end).

## Timer programming function

The program can be set to start up to 19 hours later. This time is adjustable in 1 hour increments.



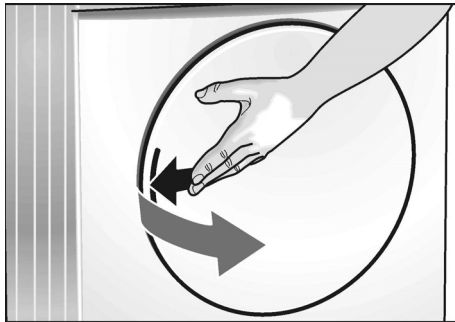
See also page 21 "Programming the timer".

# Program selection table

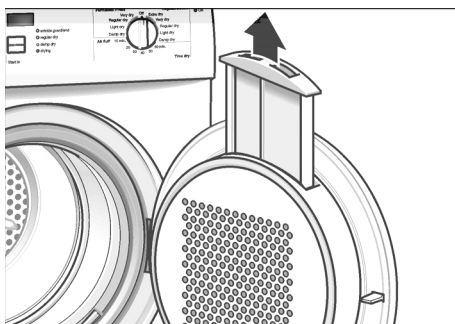
<b>Automatic programs</b>		
For Cottons and coloreds made of cotton or linen. Press "Delicates" button for temperature-sensitive textiles.		<b>"Regular/Cottons"</b> Automatic program
	<b>For laundry,</b>	
Bed linen, table linen, towels	which is to be ironed	Damp dry
Bed linen and table linen, towels, T-shirts, sports shirts, overalls		
T-shirts, sports shirts, dresses, trousers, overalls, underwear		
Terry towels, kitchen towels, hand towels, bed linen, underwear, cotton socks	which is not to be ironed	Regular dry
Terry towels, kitchen towels, hand towels, bed linen, underwear, cotton socks	which is not to be ironed, thick multi-ply	Very dry
Terry bathrobes and terry bed linen	which is particularly thick or multi-ply	Extra dry
Easy-care (drip-dry) laundry made of synthetic and blended fabric, cotton e.g. polyester Press the "Delicates" button for very temperature-sensitive textiles.		<b>"Permanent Press"</b> Automatic program
	<b>For laundry,</b>	
Trousers, dresses, skirts, shirts	which needs to be ironed	Damp dry
Trousers, dresses, skirts and shirts, blouses, leggings, sportswear with a high synthetic content	which should only be lightly ironed or not at all	Light dry
Shirts, blouses, sports clothing	which is not to be ironed	Regular dry
Bed linen and table linen, track suits, comforters, blankets	which is not to be ironed, thick multi-ply	Very dry
<b>Time programs</b>		<b>"Time Dry"</b>
Pre-dried textiles with low moisture content, individual small items, e.g. bath towels, bathing wear, dish cloths. For the smallest load condition from 0.22 lb – 0.44 lb (0.1 kg – 0.2 kg) (i. e. one small towel), a time dry program should be selected Press the "Delicates" button for temperature-sensitive textiles.		
– Cottons and coloreds made of cotton or linen.		20, 30, 40, 50, 60 min
– Temperature-sensitive textiles.		20, 30, 40, 50, 60 min
Freshening or airing little worn items of clothing and drying of extrem sensitive textiles. For all textile types inclusive foam rubber (e.g. pillows, stuffed toys), plastic (e.g. shower curtains, table clothes), rubber, sheer nylon, polypropylene.		Air fluff (10 min)

# Operation

## Using the dryer

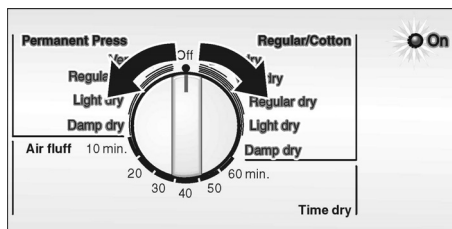


1. Open the door.



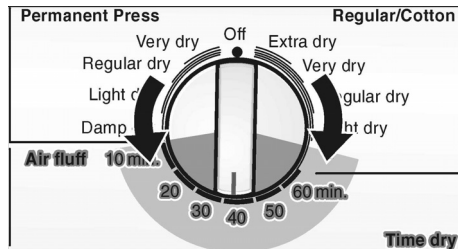
2. Check lint filter.

The filter should be cleaned after and before every drying process. Cleaning the filter reduces the drying time and saves energy.

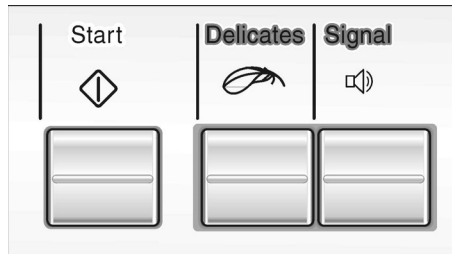


3. a) Rotate program selector to the desired program. Select the program which corresponds to the laundry in the dryer from the program selection table (see page 19).

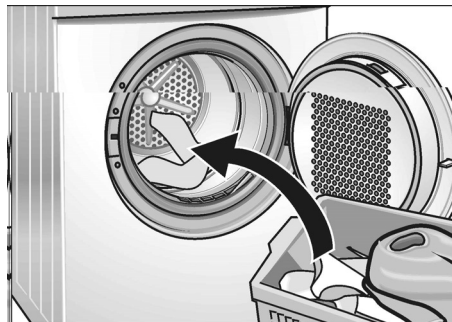
or



b) Rotate program selector to "Time dry/.... min.".



4. If required, select "Option" by pressing the button. The "Options" are explained on page 18.



5. Place laundry in the empty drum. Put each piece of laundry into the machine separately.

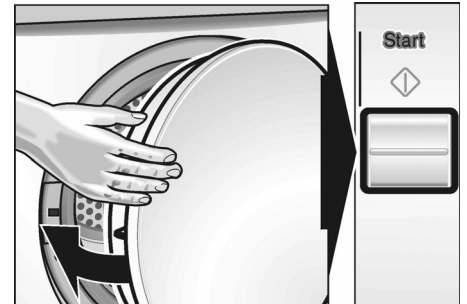
For best results the laundry to be dried must be sorted according to type of laundry and desired degree of drying. For further information see page 17.

**i** Observe drying symbols of the laundry manufacturer.

Ensure that there is only laundry in the drum. Check that all items are completely in the drum.

6. Close the door.

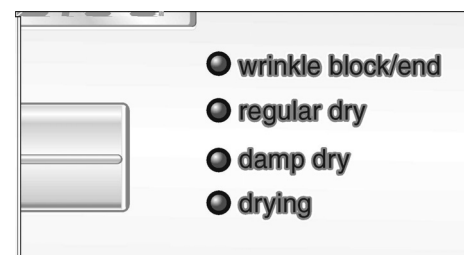
**i** If the door has not been closed properly, the dryer will not start.



7. Press the **Start** button. The **On** indicator light illuminates.

**i** The program starts with an acoustic signal (if set).

If a standard program has been selected, the indicator lights will light up to indicate the progress of the program sequence.

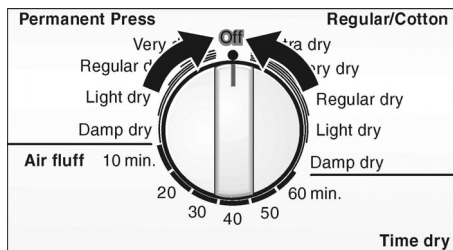


**i** At program end, an acoustic signal is emitted (if set) and the LED "wrinkle block/end" illuminates.

**i** **Anti-crease function**

When the drying process is complete (program or selected time program ended), the drum rotates at specific intervals for 1 hour. This prevents the laundry from creasing. The laundry remains loose and fluffy until it is removed.

The laundry should be removed before this time has elapsed.



- Rotate the program selector to "Off".  
The indicator light goes out.



- Open the door.
- Take the laundry out of the dryer.
- Clean the filter.  
The filter should be cleaned after each drying process. Cleaning the filter reduces the drying time and saves energy.



- Close the door.
- i** If the item of clothing still contains residual moisture after the indicated drying time,
- restart the program and
  - reduce the drying duration depending on the degree of residual moisture.

## Adding laundry

- Open the door.  
The drying cycle is halted.
- Add or remove laundry.
- Close the door.
- Select another program if necessary using the program selector (see the table of programs from page 19 onwards).
- Press the **Start** button.  
The **On** indicator light illuminates.

## Programming the timer

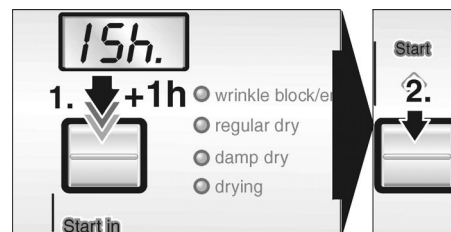
The program can be delayed up to 19 hours later.

Set the timer as follows:

- Select the program you require using the **program selector**.
- Press the **Start in** button.  
**0h.** flashes in the display.



- i** The display flashes until you press **Start** or you turn the **program selector** to "Off".



- Press **Start in** repeatedly until the value you require is displayed.

- Press the **Start** button to save the time and to start counting down.  
The time you have selected counts down. The dot flashes in the display. The time counts down in increments of 1 hour.

The door may be opened at any time. This does not affect the delay selected. The display flashes. The programme continues when you close the door and press the **Start** button.

The delay may be cleared or changed at any time.

- Turn **program selector** to "Off" (cancels the timer programming).
- Select the program you require using the **program selector**.
- Press the **Start** button and set a new time if necessary (see above).

# Cleaning and care

## Cleaning the dryer



**DANGER**

### RISK OF EXPLOSION!

Never use solvents or highly flammable liquids for cleaning.



**CAUTION**

Incorrect cleaning may damage the dryer. Do not spray with a water jet. Do not use scouring agents or all-purpose cleaners. Do not use steam cleaners.

Wipe the housing and fascia with a soft cloth and soapy water only.

Wipe the drum, door seal and inside of the door with a damp cloth only.

## Cleaning the lint filter

A dirty filter extends the drying time and increases energy consumption.

The filter should be cleaned before and after each drying process.

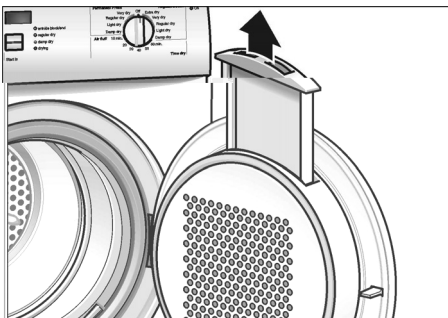
1. Switch off the dryer. Program selector to "Off".



**CAUTION**

The inside of the door heats up during the drying process.

2. Open the door.



3. Remove the lint filter.



4. Remove lint by stroking your hand over the filter.

The filter should be rinsed once a year under warm running water. The filter must be dried thoroughly before being replaced.

5. Insert the filter.
6. Close the door.

## Cleaning the exhaust duct

Inspect and clean the exhaust ducting at least once a year to prevent clogging. A partially clogged exhaust can lengthen the drying time.

- Turn off the circuit breaker
- Pull out power supply plug.
- Disconnect the duct from the dryer.
- Vacuum the exhaust air outlet from the rear site to the front of the appliance. Make sure that there is no blockage!
- Vacuum and reconnect the duct.

## Cleaning the moisture sensor

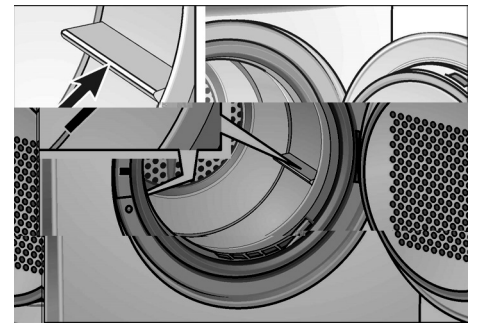
The both moisture sensors have to be cleaned because a fine layer of transparent buildup is deposited on the sensors.

This deposit can easily be removed by wiping the sensors with a cloth and a little white vinegar.

Use white vinegar only!

Clean the both moisture sensors once a month.

The moisture sensors are located on the paddles in the drum.



# Troubleshooting

## **DANGER**

RISK OF ELECTRICAL SHOCK!  
Repairs or replacement of parts may be carried out by authorized technicians only.

Before calling customer service, check the following table.

If a fault cannot be rectified or a repair is required:

1. Set program selector to “Off”.
2. Turn off the circuit breaker.
3. Unplug the unit.
4. Call customer service (see page 24).


Problem	Possible cause	Remedial action
Dryer does not start. <b>On</b> indicator light does not illuminate.	Main plug not inserted at all or not inserted correctly.	Insert main plug correctly.
	A fuse of power supply has tripped.	Replace/switch on fuse.
	<b>Start</b> button not pressed.	Press <b>Start</b> button.
	No program selected.	Select program.
	Door not closed.	Close door.
	Ambient temperature below 41 °F/5 °C.	Increase room temperature.
Dryer does not start. The selected <b>Start in</b> time flashes in the display.	The selected time is not saved.	Press the <b>Start</b> button to save the time and to start counting down.
The door opens by itself.	The locked pin is not engaged.	Push the door closed until you hear the locking pin click into place.
Program has been interrupted.	Lint filter dirty.	Clean filter as described on page 22. Switch off/switch on again.
	Exhaust air duct is blocked or too long.	Clean exhaust air duct. Reduce exhaust air duct to maximum length, see table on page 10. Switch off/switch on again.
	Fault in program sequence or malfunction.	Switch off dryer, leave to cool down for 30 min, switch on again. Restart program.
	The room/cabinet is not adequately ventilated.	Provide an adequate supply of fresh air. Switch off/switch on again.
Degree of drying has not been reached or the drying time is too long.	Moisture sensor dirty.	Clean moisture sensor as described on page 22. Switch off/switch on again.
	Exhaust air duct is blocked or too long.	Clean exhaust air duct. Reduce exhaust air duct to maximum length, see table on page 10. Switch off/switch on again.
	Lint filter dirty.	Clean filter as described on page 22. Switch off/switch on again.
	Laundry was too wet.	Spin laundry at higher speed in the washing machine. Switch off/switch on again.
	Unsuitable program selected.	Select program with aid of the program selection table (see page 19). Switch off/switch on again.
	Maximum drying time was exceeded.	Clean lint filter (see page 22). Check exhaust air extraction. Spin laundry at a higher speed in your washer.
	Motor limit temperature was exceeded.	Switch off dryer, leave to cool down for 30 min. Switch on again. Start program.

## SERVICE and REPAIR

### CAUTION

**CAUTION** – Label all wires prior to disconnection when servicing controls. Wiring errors can cause improper and dangerous operation. Verify proper operation after servicing.

The Bosch dryers require no special care other than the care and cleaning noted above.

 If you are having a problem with your dryer, before calling for service please refer to Table on page 23.

If service becomes necessary, contact your dealer or installer or an authorized service center. Do not attempt to repair the appliance yourself. Any work performed by unauthorized personnel may void the warranty.

If you are having a problem with your Bosch dryer and are not pleased with the service you have received:

- First, please contact your installer or the Bosch Authorized Service Contractor in your area and explain to them why you are not satisfied. This will usually correct the problem.
- If after working with your installer or service person the problem still has not been resolved to your satisfaction, please let us know by either writing to us at,

BSH Home Appliances  
5551 Mc Fadden Avenue  
Huntington Beach, CA 92649

or, calling us at

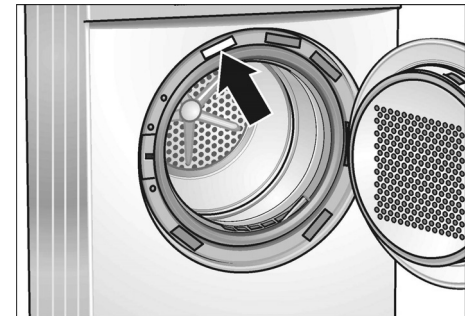
**1-800-944-2904.**

Please be sure to include, if writing, or have available, if calling, the following information:

- Model Number
- Serial Number
- Date of Original Purchase
- Date Problem Originated
- Explanation of Problem

Also, if writing, please be sure to include a daytime telephone number and a copy of the sales invoice.

You will find the model number and serial number information on the rating plate located on the inside of the front panel.





# STATEMENT OF WARRANTIES BOSCH CLOTHES DRYERS

The warranties provided by BSH Home Appliances (“Bosch”) in this Statement of Warranties apply only to Bosch Clothes dryers sold to the

first using purchaser by Bosch or its authorized dealers, retailers or service centers in the United States

or Canada. The Warranties provided herein are not transferable.

LENGTH OF WARRANTY	SCOPE OF WARRANTY
1 Year Full Limited Warranty From Date of Installation*	Bosch will repair or replace, free of charge, any component part that is proven defective under conditions of normal home use, labor and shipping costs included. Warranty repair service must be performed by an authorized Bosch Service Center.
2 Year Limited Warranty From Date of Installation*	Bosch will provide replacement parts, free of charge, for any component part that is proven defective under conditions of normal home use, shipping costs included, labor charges excluded.
2 Year Limited Warranty on Electronics From Date of Installation*	Bosch will repair or replace, free of charge, any microprocessor or printed circuit board that is proven defective under conditions of normal home use from the date of original installation, labor charges excluded.
2 Year Limited Warranty on Motor From Date of Installation*	Bosch will repair or replace, free of charge, any motor or component part of the motor that is proven defective under conditions of normal home use from the date of original installation, labor charges excluded.
* Date of installation shall refer to the earlier of the date the clothes dryer is installed or ten business days after the delivery date.	

## Exclusions

This warranty does not cover service calls or repairs to correct the installation of the clothes dryer, to provide instructions on the use of your clothes dryer, to replace house fuses or correct plumbing or the electric wiring in your home or to repair any clothes dryer that’s use was in a manner other than what is normal and customary for home use. In addition, the warranties provided in this Statement exclude any defects or damage arising from accident, alteration, misuse, abuse, improper installation, unauthorized service work, external forces beyond Bosch’s control, such as fire, flood, and other acts of God, or installation not in accordance with local electrical and plumbing codes. Labor charges incurred in the repair or replacement of any clothes dryer after a period of one year from date of installation shall not be covered by this warranty. Any and all replaced and/or repaired parts shall

assume the identity of the original for purposes of the applicable warranty period. TO THE EXTENT PERMITTED BY LAW, THIS WARRANTY IS IN LIEU OF ALL OTHER EXPRESS AND IMPLIED WARRANTIES, INCLUDING THE IMPLIED WARRANTIES OF MERCHANTABILITY AND FITNESS FOR A PARTICULAR PURPOSE. BOSCH DOES NOT ASSUME ANY RESPONSIBILITY FOR INCIDENTAL OR CONSEQUENTIAL DAMAGES. TO OBTAIN WARRANTY SERVICE, CONTACT THE NEAREST BOSCH AUTHORIZED SERVICE CENTER OR CALL 1-800-944-2904, OR WRITE TO:  
BSH HOME APPLIANCES CORP.,  
5551 MC FADDEN AVENUE  
HUNTINGTON BEACH  
CA 92649.

BE SURE TO PROVIDE YOUR CLOTHES DRYER’S MODEL, SERIAL NUMBER, PURCHASE DATE AND THE SELLER’S NAME, ADDRESS AND A COPY OF THE SALES INVOICE.

# Table des matières

<b>Définitions</b> .....	<b>27</b>
<b>INSTRUCTIONS DE SÉCURITÉ IMPORTANTES</b> .....	<b>28</b>
Instructions DE MISE à LA TERRE .....	29
<b>INSTRUCTIONS D'INSTALLATION</b> .....	<b>30</b>
Introduction .....	30
Informations sur la mise au rebut .....	30
Avant d'installer le sèche-linge .....	30
Lieu d'installation .....	31
Branchement électrique .....	32
Instructions de raccordement à la terre .....	34
Raccordement du conduit d'échappement .....	34
Installation pas à pas .....	36
Check-list préalable à l'emploi du sèche-linge .....	36
Préparation pas à pas au transport du sèche-linge .....	36
<b>INSTRUCTIONS D'UTILISATION</b> .....	<b>37</b>
Présentation de votre nouveau sèche-linge. ....	37
Le bandeau de commande .....	38
<b>Résumé des instructions</b> .....	<b>39</b>
<b>Informations de sécurité</b> .....	<b>40</b>
Utilisation prévue .....	40
Avant d'allumer le sèche-linge .....	40
Utilisation du sèche-linge .....	40
Protection du sèche-linge .....	40
<b>Protection de l'environnement</b> .....	<b>40</b>
<b>Avant d'utiliser le sèche-linge pour la première fois</b> .....	<b>41</b>
<b>Débranchement temporaire du sèche-linge</b> .....	<b>41</b>
<b>Linge</b> .....	<b>41</b>
Détermination de la nature du tissu .....	41
Conseils pour le séchage .....	41
<b>Sélection du programme</b> .....	<b>42</b>
Programmes automatiques .....	42
Programmes assortis d'une durée .....	42
Options .....	42
Indicateur de déroulement du programme .....	42
Fonction de programmation du minuteur .....	42
<b>Tableau de sélection des programmes</b> .....	<b>43</b>
<b>Utilisation</b> .....	<b>44</b>
Utilisation du sèche-linge .....	44
Ajout de linge .....	45
Programmation du minuteur6. ....	45
<b>Nettoyage et entretien</b> .....	<b>46</b>
Nettoyage du sèche-linge .....	46
Nettoyage du filtre à peluches .....	46
Nettoyage du conduit d'échappement .....	46
Nettoyage des capteurs d'humidité .....	46
<b>Dérangement et remèdes</b> .....	<b>47</b>
SERVICE ET RÉPARATIONS .....	48
<b>DECLARATION DES GARANTIES Sèche-LINGE BOSCH</b> .....	<b>49</b>
Exclusions de garantie .....	49

Vous venez d'opter pour un sèche-linge Bosch et nous vous en félicitons. Vous faites ainsi partie des consommateurs exigeant des performances de séchage exceptionnelles de leur sèche-linge tout en ménageant les textiles.

Ce sèche-linge se conforme à la norme UL 2158 Appareils de séchage des vêtements

Ce sèche-linge offre une caractéristique particulièrement intéressante : il consomme peu d'énergie.

Une philosophie de fonctionnement simple, toute une gamme de programmes customisés de séchage, un retour haptique faisant bien sentir la robustesse du produit en font l'assistant utile et commode de votre foyer.

Ce sèche-linge Bosch offre les caractéristiques standard suivantes :

- Système de séchage hautement efficace et précis.
- Tambour en acier inoxydable d'une capacité atteignant 11 lbs (5 kg)
- Verrouillage de la porte avec fonction d'arrêt automatique du tambour
- Fonctionnement extrêmement silencieux.
- Cycles automatiques contrôlés par des capteurs.
- Cycles minutés pouvant atteindre 60 minutes
- Fonction anti-froissage

Chaque sèche-linge quittant notre usine a subi des tests complets de performances et se trouve en parfait état de marche. Si vous souhaitez demander des précisions, notamment sur l'installation du sèche-linge, notre équipe du service après-vente se fera un plaisir de vous répondre.

Vous trouverez d'autres informations et tout un choix de nos produits sur le site Web suivant :

[www.boschappliances.com](http://www.boschappliances.com)

### Information

Veillez s.v.p. lire et respecter l'intégralité de cette notice d'installation et d'utilisation, ainsi que toutes les informations qui ont été fournies avec ce sèche-linge.

## Définitions

### **DANGER**

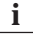
**DANGER** – Cette mention et le symbole indiquent que le non-respect de l'avertissement qui les accompagnent engendre un danger de mort ou un risque de blessures graves.

### **Avertissement**

**AVERTISSEMENT** – Cette mention vous prévient d'un risque de blessures ou de dégâts considérables si vous ne respectez pas l'avertissement correspondant.

### **PRUDENCE**

**PRUDENCE** – Cette mention et ce symbole indiquent que le non-respect de l'avertissement qui les accompagne engendre un risque de blessures ou dégâts légers.

 Ce symbole sert à attirer votre attention sur des points importants.

# INSTRUCTIONS DE SÉCURITÉ IMPORTANTES



## Avertissement



Pour réduire le risque d'incendie, de choc électrique, de blessure grave ou écarter tout danger de mort et / ou risque de dégâts matériels pendant l'utilisation de votre sèche-linge, veuillez s.v.p. prendre des précautions fondamentales comprenant celles énoncées ci-après.

1. Veuillez lire toutes les instructions figurant dans cette notice avant d'utiliser le sèche-linge. A la livraison, les sèche-linge Bosch sont accompagnés d'une notice d'utilisation, de maintenance et d'installation.
2. Ne faites pas sécher de pièces de linge qui ont été préalablement nettoyées, lavées et tachées avec ou trempées dans de l'essence, des solvants de dégraissage à sec ou d'autres substances explosives, car toutes ces substances dégagent des vapeurs susceptibles de s'enflammer ou d'exploser.
3. Ne permettez jamais aux enfants de jouer sur ou avec l'appareil. Surveillez les enfants de près lorsque vous vous servez de l'appareil à proximité des enfants.
4. Avant de mettre l'appareil hors service ou au rebut, retirez la porte du compartiment de séchage.
5. N'introduisez pas les mains dans l'appareil tandis que le tambour tourne.
6. N'installez ni ne stockez pas l'appareil dans un endroit exposé aux intempéries.
7. Ne cherchez pas à modifier les commandes de l'appareil.
8. Ne tentez pas de réparer ni remplacer quelque pièce que ce soit de l'appareil, ne le soumettez pas à des opérations de maintenance autres que celles spécifiquement indiquées dans les instructions de maintenance ou de réparation et permises à l'utilisateur, ceci à condition que vous en compreniez le contenu et ayez l'habileté requise pour réaliser ces opérations.
9. N'utilisez pas de produits adoucisseurs ou ceux destinés à éliminer l'électricité statique, sauf s'ils ont été recommandés par le fabricant du textile.
10. Ne vous servez pas de la chaleur pour sécher des articles contenant du caoutchouc mousse (une étiquette peut indiquer la présence de mousse de latex) ou des matériaux en caoutchouc texturés de façon similaire. Les matériaux mousse peuvent s'enflammer spontanément.
11. Avant et après le passage, nettoyez les peluches déposées sur le filtre.
12. Veillez à ce que la zone située autour de l'orifice de sortie et les zones voisines soient exemptes de bourres, peluches, poussières accumulées. Un orifice obstrué risque de réduire le flux d'air.
13. Il faudrait que le personnel de service après-vente qualifié nettoie régulièrement l'intérieur de la machine et le conduit d'échappement d'air.
14. Avant de soumettre l'appareil à toute maintenance, débranchez toujours sa fiche mâle de la prise de courant. Pour débrancher, saisissez la fiche mâle et non pas le cordon de celle-ci.
15. Rangez tous les produits chimiques et accessoires de traitement du linge dans un endroit sec et frais, en respectant les instructions publiées par leurs fabricants. Cet endroit doit se trouver hors de portée des enfants.
16. Pour réduire le risque d'incendie, ne mettez jamais dans le sèche-linge des vêtements, chiffons de nettoyage, accessoires de nettoyages à franges comportant des traces de toute substance inflammable comme l'huile végétale, l'huile de cuisine, les huiles ou produits distillés à base de pétrole, les cires, graisses, etc. Une ou plusieurs substances inflammables peuvent être restées sur ces pièces de linge même après le lavage. Elles risquent de se mettre à fumer ou de prendre feu spontanément.
17. Ne mettez pas à sécher dans l'appareil des pièces de linge exposées aux huiles de cuisson. Ces pièces de linge contaminées par les huiles de cuisson peuvent contribuer à une réaction chimique qui ferait prendre feu à la charge de linge.
18. Ne vous asseyez pas sur le sèche-linge.

19. Pour réduire le risque d'incendie ou de choc électrique, N'UTILISEZ PAS de prolongateur ni d'adaptateur pour raccorder le sèche-linge à une prise du secteur électrique.
20. N'utilisez ce sèche-linge que conformément à sa destination.
21. Vérifiez toujours le contenu des poches et retirez tous les objets trouvés. Les briquets à cigarettes sont particulièrement dangereux.
22. Remplacez les cordons d'alimentation électriques usés et/ou les fiches mâles comportant des faux contacts.
23. Ne faites pas marcher le sèche-linge tant que tout couvercle et/ou panneau enlevé n'a pas été remis en place.
24. Ne faites pas marcher le sèche-linge s'il lui manque des pièces ou si elles sont cassées.
25. Ne tentez pas de contourner un dispositif de sécurité quelconque.
26. Avec ce sèche-linge, n'utilisez pas de conduit flexible en plastique ou dans un matériau non métallique. Les conduites flexibles en plastique ou dans tout matériau non métallique engendrent un risque potentiel d'incendie.
27. Ne faites pas marcher le sèche-linge tant que vous n'êtes pas sûr si le sèche-linge a été installé conformément aux instructions D'installation, et que l'installation ainsi que le raccordement à la terre se conforme à tous les arrêtés municipaux et/ou les autres règlements et exigences applicables.

28. Tout manquement à installer, entretenir et/ou faire marcher le sèche-linge en conformité avec les instructions du fabricant peut provoquer des dommages corporels et/ou des dégâts matériels.
29. Pour éviter d'endommager le sol ou la prolifération de moisissures, ne laissez pas l'eau répandue ou les éclaboussures en permanence autour de l'appareil ou sous celui-ci.

**Remarques :**

- A Les MISES EN GARDE et AVERTISSEMENTS IMPORTANTS figurant dans le présent manuel ne sauraient envisager toutes les situations possibles et imaginables. Faites preuve de bon sens, de prudence et de soin pendant l'installation, l'entretien et l'utilisation de ce sèche-linge.
- B Contactez toujours votre revendeur, distributeur, agent du service après-vente (SAV) ou le fabricant en présence de problèmes ou situations vous paraissant incompréhensibles.
- C Respectez également les informations de sécurité incluses dans les INSTRUCTIONS D'INSTALLATION et les INSTRUCTIONS D'UTILISATION.

## Instructions DE MISE à LA TERRE

Il faut impérativement raccorder ce sèche-linge à la terre. En cas de dysfonctionnement ou de panne, sa liaison avec la terre réduira le risque de choc électrique en fournissant au courant électrique un chemin de passage à résistance électrique très réduite.

### Pour le CANADA

Cet appareil est équipé d'un cordon d'alimentation avec fil intégré de raccordement de l'appareil à la terre, et d'une fiche de raccordement à la terre. Il faudra brancher la fiche dans une prise femelle appropriée, reliée à la terre conformément à la réglementation et aux décrets locaux.

 <b>Avertissement</b> 	
<p>Le branchement inexpert du fil chargé de raccorder l'appareil à la terre peut engendrer un risque de choc électrique.</p> <p>Avec l'aide d'un électricien agréé ou d'un technicien du service après-vente (SAV), vérifiez en cas de doute que le sèche-linge est bien raccordé à la terre.</p> <p>NE MODIFIEZ PAS la fiche mâle accompagnant l'appareil. Si elle ne rentre pas dans la prise, faites installer une prise femelle appropriée par un électricien agréé.</p>	

**CONSERVEZ CETTE NOTICE AFIN DE POUVOIR LA CONSULTER À NOUVEAU ultérieurement.**

Si l'appareil doit un jour changer de propriétaire, remettez-lui le manuel en même temps que le sèche-linge.

# CONSERVEZ CETTE NOTICE

# INSTRUCTIONS D'INSTALLATION

## Introduction

Veillez lire ces instructions d'installation entièrement et soigneusement. Elles vous feront économiser du temps et des efforts et vous aideront à obtenir des performances optimales de votre sèche-linge. Veillez à bien respecter tous les avertissements et mises en garde énoncés.

Les présentes instructions d'utilisation sont destinées à des installateurs qualifiés.

Le sèche-linge devra être installé en conformité non seulement avec les présentes instructions mais aussi avec tous les règlements locaux ou, en l'absence de tels règlements :

- Aux **Etats-Unis** : conformez-vous au National Electric Code, ANSI/NFPA70 – en son édition la plus récente / en conformité avec la réglementation édictée par l'Etat de résidence, la réglementation municipale et/ou locale.
- Au **Canada** : conformez-vous au Code Electrique Canadien C22.1 – en son édition la plus récente / en conformité avec la réglementation édictée par la province de résidence, la réglementation municipale et/ou locale.

## Informations sur la mise au rebut

### Mise au rebut de l'emballage

#### **DANGER**

Eloignez les enfants de tout carton d'emballage et composants d'emballage. Les feuilles en plastique et les cartons pliants comportent un risque d'étouffement.

Tous les matériaux composant l'emballage sont écologiques et recyclables. Pour contribuer vous aussi à la protection de la nature, mettez les matériaux d'emballage au rebut de façon respectueuse de l'environnement.

Pour connaître les circuits de mise au rebut, veuillez consulter votre revendeur ou les services compétents de votre mairie.

### Mise au rebut de l'ancien appareil

#### **DANGER**

Si l'appareil ne doit plus jamais servir, débranchez sa fiche mâle de la prise de courant, coupez son cordon d'alimentation et jetez-le avec la fiche mâle.

Pour empêcher que des enfants ne s'enferment dans l'ancien appareil et risquent leur vie, détruisez le système de fermeture du hublot ou retirez ce dernier.

Les appareils anciens ne sont pas des déchets sans valeur! Un recyclage respectueux de l'environnement permet de récupérer des matières premières non dénuées de valeur.

Pour connaître les circuits de mise au rebut, veuillez consulter votre revendeur ou les services compétents de votre mairie.

## Avant d'installer le sèche-linge

### Déballage de l'appareil

#### **AVERTISSEMENT**

Ce sèche-linge est très lourd. Ne tentez pas de le soulever. Ne tentez pas de soulever l'appareil par certaines parties saillantes (sa porte par ex.). Vous risqueriez de les casser.

#### **PRUDENCE**

Retirez soigneusement tout l'emballage de l'appareil, ceci pour empêcher d'endommager des surfaces.

Vérifiez si le sèche-linge a subi des dégâts en cours de transport. Ne branchez pas un sèche-linge visiblement endommagé. En cas de doute, contactez votre revendeur.

### Accessoires fournis

#### Pour les Etats-Unis

#### **PRUDENCE**

L'appareil est fourni sans cordon d'alimentation. Le branchement du cordon d'alimentation est réservé uniquement à des personnes qualifiées.

#### **PRUDENCE**

Après avoir retiré l'emballage, sortez tous les objets éventuellement présents dans le tambour.

Ce sèche-linge a été livré en tant qu'appareil complet. Vous trouverez la notice d'utilisation dans le tambour.

## Lieu d'installation

### ⚠ AVERTISSEMENT ⚠

N'installez pas ce sèche-linge :

- en plein air
- Dans un environnement où de l'eau goutte.
- Près de matériaux inflammables
- Dans des locaux comportant un risque de gel.
- Dans des locaux pouvant contenir du gaz, de l'essence ou d'autres combustibles.
- Dans des placards à portes fermant à clé et dans des alcôves.

La pièce où l'appareil fonctionnera doit être bien aérée sinon ses performances resteront sub-optimales.

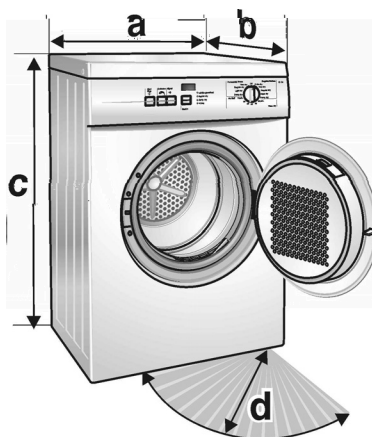
Ne faites pas marcher le sèche-linge à des températures supérieures à 104 °F (40 °C) et inférieures à 41 °F (5 °C).

Les basses températures affectent le séquençage automatique des programmes et peuvent allonger la durée de séchage.

La surface sur laquelle se trouve le sèche-linge doit être propre, horizontale et dure. N'installez jamais l'appareil sur des tapis et moquettes. Compensez les irrégularités du sol par ses pieds réglables en hauteur.

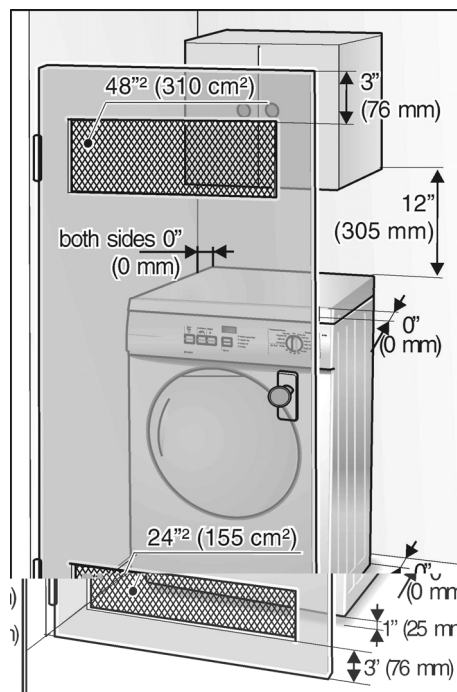
Installez le sèche-linge et ajustez son horizontalité (avant - arrière et côtés). Utilisez un niveau à bulle. N'enlevez jamais les pieds réglables en hauteur!

Les dimensions de la surface d'installation dépendent de celles du sèche-linge. Vérifiez qu'il reste suffisamment de place pour que sa porte puisse tourner!



	Dimensions	Poids
a	23,6" (60 cm)	100 lbs (45 kg)
b	23,6" (59 cm)	
c	33,5" (85 cm)	avec l'emballage
d	15,7" (40 cm)	118 lbs (53 kg)
angle	120-130°	

Si vous installez le sèche-linge dans un meuble, veuillez respecter les espacements minimums indiqués dans la figure ci-dessous :



Distance minimum à respecter lors de l'installation

	Placard
Des deux côtés	0" (0 mm)
Dessus	12" (305 mm)
Arrière	0" (0 mm)
Avant	0" (0 mm)
Arrière	1" (25mm)

### Informations importantes sur les distances minimums

(Voir aussi la page 34) :

- Des distances supérieures aux distances minimums indiquées réduisent le risque d'apparition de moisissures à l'arrière de l'appareil.
- Des distances supérieures réduisent la propagation du bruit.
- Des distances supérieures facilitent l'installation et les opérations de maintenance.
- Si le sèche-linge a été installé dans un local exigu, il faudra prévoir sur la porte des orifices d'aération ayant la taille minimum spécifiée.

### Kit de fixation lave-linge / sèche-linge

Pour économiser de la place, vous pouvez placer le sèche-linge sur un lave-linge Bosch présentant les mêmes dimensions.

Utilisez le kit de fixation spécial. Procurez-vous le auprès de notre service après-vente ou de votre revendeur local.

- WTZ11340UC  
Kit de connexion lave-linge - sèche-linge (standard)
- WTZ11350UC  
Kit de connexion lave-linge - sèche-linge avec tablette à tirer

## ⚠ AVERTISSEMENT ⚠

Pour des raisons de sécurité, l'installation du sèche-linge est une opération incombant à un expert. Servez-vous toujours du kit de fixation pour fixer le sèche-linge contre le lave-linge. Risque de blessures dans le cas contraire.

## Branchement électrique

### ⚠ AVERTISSEMENT ⚠

Le raccordement du cordon d'alimentation électrique est réservé uniquement à une personne qualifiée.

Connectez-le à un circuit individuel de dérivation.

N'utilisez pas d'adaptateur.

N'utilisez pas de prolongateur.

Ne retirez pas la broche de connexion à la terre.

### Pour le CANADA

Votre sèche-linge est livré équipé d'un cordon d'alimentation à 4 fils, homologué CSA au Canada.

Ce sèche-linge requiert une prise femelle à 4 fils.



Lorsque vous installez la prise femelle recevant le cordon d'alimentation, veillez bien à ce qu'il reste accessible une fois le sèche-linge en position.

Le remplacement du cordon d'alimentation est une opération réservée à une personne qualifiée. Utilisez un cordon d'alimentation à 4 fils (voir la procédure de branchement électrique décrite ci-dessous pour les Etats-Unis).

### Pour les Etats-Unis

Votre sèche-linge a été livré sans cordon d'alimentation. Ce cordon doit se conformer aux exigences suivantes :

- Il doit figurer dans la liste UL américaine.
- Tension nominale minimum : 240 V
- Intensité nominale : 30 A
- Type SRDT
- Il doit mesurer au minimum 5 pieds de long.
- Bornes annulaires ou bornes à pattes à bords relevés

### Branchement d'un cordon d'alimentation électrique à 4 fils

### ⚠ AVERTISSEMENT ⚠

Le raccordement du cordon est exclusivement réservé à un électricien agréé.

N'utilisez qu'un cordon d'alimentation homologué UL, supportant un ampérage de 30 A et comportant un frein destiné à absorber la tension mécanique. Respectez les instructions publiées par son fabricant.

Ne branchez pas l'extrémité du cordon d'alimentation dans une prise femelle sous tension avant d'avoir raccordé les fils du cordon aux bornes de l'appareil et d'avoir refermé le boîtier de jonction / de distribution comme décrit ci-dessous.

## ⚠ AVERTISSEMENT ⚠

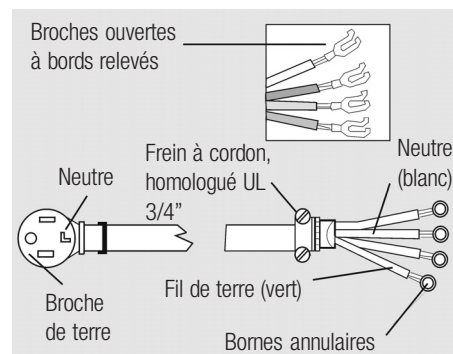
Ne réutilisez pas un cordon d'alimentation endommagé. Le cordon doit présenter une boucle fermée ou des connecteurs terminaux à extrémité de fil retournée.

Au niveau des connexions, ne coudez pas brutalement les fils et ne sertissez pas le câblage / les fils.

N'utilisez qu'un cordon à 4 fils si l'appareil sert dans un mobile home ou à un endroit où la réglementation locale interdit de faire transiter la terre par le fil de neutre.

### Remarque :

Un cordon d'alimentation électrique quadrifilaire doit comporter quatre fils en cuivre AWG n° 10 et correspondre à une prise à 4 fils du type NEMA 14-30R. Le 4e fil (conducteur de terre) doit être repéré par une gaine verte et le fil de neutre par une gaine blanche.

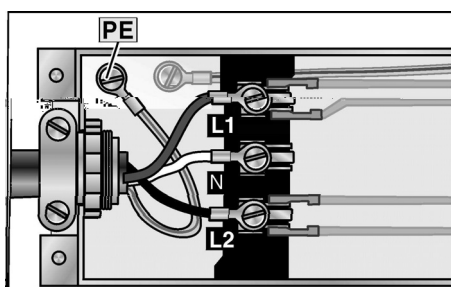


Pour brancher le cordon d'alimentation électrique :

1. Retirez les vis du couvercle équipant le boîtier de jonction. Ce boîtier se trouve en haut à l'arrière du sèche-linge.
2. Desserrez puis retirez les deux vis du frein à cordon puis retirez le cordon. Le frein à cordon se partage en deux pièces identiques.



3. Insérez la bride large des deux sections dans le trou situé sur le côté du boîtier de jonction et immobilisé par l'écrou de couplage depuis l'intérieur du boîtier. La bride courte des deux sections et les vis doivent rester positionnées sur le côté extérieur du corps du boîtier de jonction.
4. Enfilez le cordon d'alimentation à 4 fils par les deux sections du frein à cordon puis remettez les vis du frein en place. Ne les serrez pas à fond tant que les branchements électriques ne sont pas achevés.



5. Fixez le fil de terre du cordon (fil vert) contre le trou à borne de terre repéré dans la figure par la mention **PE**. Serrez la vis jusqu'à ce que le fil de terre soit fermement retenu.
6. Fixez le fil de neutre du cordon (fil blanc) contre la borne de neutre (repérée par la mention N). Serrez la vis jusqu'à ce que le fil de neutre soit fermement retenu.
7. Fixez le fil de phase du cordon (fil noir) contre l'une des bornes de phase (repérée par la mention L2). Serrez la vis jusqu'à ce que le fil de phase soit fermement retenu.
8. Fixez le fil de phase du cordon (fil rouge) contre l'autre borne de phase (repérée par la mention L1). Serrez la vis jusqu'à ce que le fil de phase soit fermement retenu.
9. Serrez les vis équipant le frein afin que le cordon d'alimentation ne puisse plus bouger.

10. Remettez le couvercle en place sur le boîtier de jonction puis réimmobilisez-le à l'aide des quatre vis que vous aviez retiré avant.

L'appareil est maintenant prêt à ce que vous branchiez sa fiche mâle dans une prise de courant à quatre fil débitant la tension adéquate.

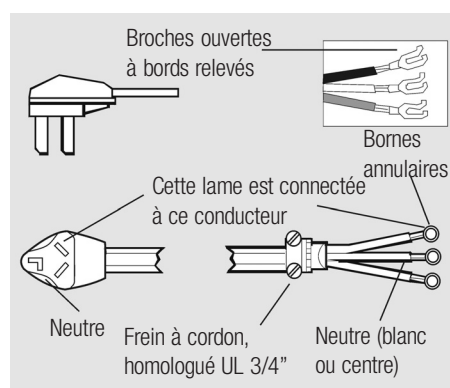
### Branchement d'un cordon d'alimentation électrique à 3 fils

Si votre prise femelle est une prise à 3 fils comme ci-dessous, vous devrez vous procurer un cordon d'alimentation à 3 fils pour sèche-linge. Contactez votre revendeur local, un électricien ou un magasin de bricolage. Il faudrait que les fils du cordons soient terminés par des bornes annulaires ou des pattes à bords relevés.



#### Remarque :

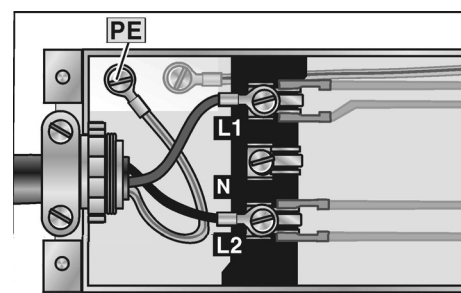
Un cordon d'alimentation électrique trifilaire doit comporter trois fils en cuivre conformes à AWG n° 10 et correspondre à la prise femelle trifilaire du type NEMA 10-30R.



Pour brancher le cordon d'alimentation électrique :

1. Retirez les vis du couvercle équipant le boîtier de jonction. Ce boîtier se trouve en haut à l'arrière du sèche-linge.

2. Desserrez puis retirez les deux vis du frein à cordon puis retirez le cordon. Le frein à cordon se partage en deux pièces identiques.
3. Insérez la bride large des deux sections dans le trou situé sur le côté du boîtier de jonction et immobilisé par l'écrou de couplage depuis l'intérieur du boîtier. La bride courte des deux sections et les vis doivent rester positionnées sur le côté extérieur du corps du boîtier de jonction.
4. Enfilez le cordon d'alimentation à 3 fils par les deux sections du frein à cordon puis remettez les vis du frein en place. Ne les serrez pas à fond tant que les branchements électriques ne sont pas achevés.



5. Fixez le fil de terre du cordon (fil vert) contre le trou à borne de terre repéré dans la figure par la mention **PE**. Serrez la vis jusqu'à ce que le fil de terre soit fermement retenu.
6. Fixez les deux conducteurs de phase restants, équipant le cordon d'alimentation, aux bornes de phase (fil noir à L2 et fil rouge à L1). Serrez les vis pour qu'elles retiennent fermement les conducteurs.
7. Serrez les vis équipant le frein afin que le cordon d'alimentation ne puisse plus bouger.
8. Remettez le couvercle en place sur le boîtier de jonction puis réimmobilisez-le à l'aide des quatre vis que vous aviez retiré avant.

Maintenant, le sèche-linge se trouve prêt à raccorder à une prise femelle à trois fils débitant du courant à une tension et intensité appropriées.

#### Procédure additionnelle de raccordement à la terre

- Certains règlements locaux peuvent exiger un raccordement séparé à la terre. En pareils cas, vous devrez acheter séparément, comme accessoires, le fil de terre, la bride et la vis.
- Ne raccordez jamais le fil de terre à des conduites de plomberie en plastique, à des conduites de gaz ou à des conduites d'eau.

### Instructions de raccordement à la terre

Il faut impérativement raccorder ce sèche-linge à la terre. Si un dérangement ou une panne se produit, le raccordement à la terre réduira le risque de choc électrique vu que le courant pourra s'échapper par un fil offrant une faible résistance électrique.

#### Pour le CANADA

Cet appareil est équipé d'un cordon d'alimentation avec fil intégré de raccordement de l'appareil à la terre, et d'une fiche de raccordement à la terre. Il faudra brancher la fiche dans une prise femelle appropriée, reliée à la terre conformément à la réglementation et aux décrets locaux.



### AVERTISSEMENT



Un raccordement incorrect de l'appareil à la terre engendre un risque de choc électrique. Si vous avez des doutes quant à son raccordement à la terre, confiez la vérification à un électricien agréé ou à un technicien du SAV.

### Raccordement du conduit d'échappement



### AVERTISSEMENT

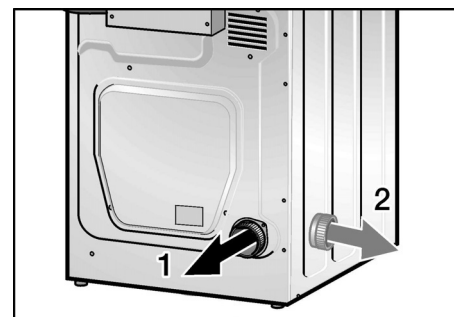


1. Pour réduire le risque d'incendie, il faut que le conduit d'échappement de ce sèche-linge aboutisse en plein air.
2. Pour réduire le risque d'incendie, n'utilisez pas de conduit d'une longueur supérieure à celle recommandée.
3. Pour réduire le risque d'incendie, n'utilisez qu'un conduit rigide ou flexible métallique.
4. Le diamètre du conduit d'échappement NE DOIT PAS ÊTRE INFÉRIEUR à 4 pouces.
5. N'UTILISEZ PAS de hottes aspirantes équipées de fermetures magnétiques.
6. NE FAITES PAS ABOUTIR le conduit d'échappement dans une cheminée, dans le conduit d'air froid d'une chaudière, par une lucarne, un espace accessible uniquement en rampant ou tout autre conduit utilisé pour aéré.
7. N'INSTALLEZ PAS un conduit flexible dans un mur, plafond ou plancher situé dans une enceinte.
8. N'ÉCRASEZ ET NE vrillez pas le conduit.
9. Nettoyez et vérifiez le circuit d'échappement de façon régulière, au minimum une fois par an.
10. Le conduit d'évacuation doit se terminer de façon à empêcher le reflux d'air vers l'intérieur de l'appareil ou la pénétration d'animaux.

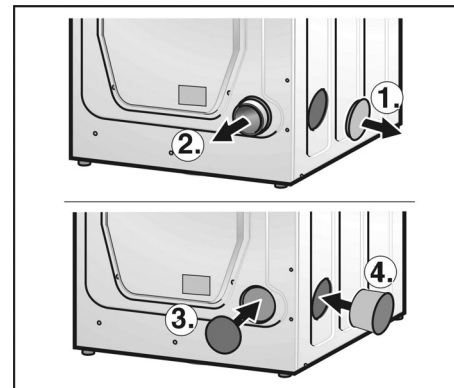
Pour empêcher une accumulation d'humidité et l'accumulation de peluches dans la pièce, mais aussi pour maintenir l'efficacité du sèche-linge au maximum, il faut que l'air sortant de l'appareil soit refoulé dehors, en plein air.

**i** Positionnez le conduit d'évacuation de telle sorte qu'aucune contre-pression (provoquée par le vent par exemple) ne s'exerce au niveau de l'orifice de sortie.

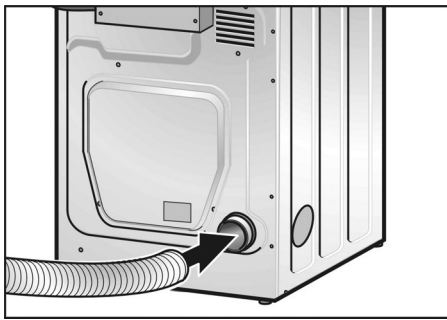
Le panneau arrière du sèche-linge (1) et la paroi gauche (2) comportent des orifices de sortie d'air.



Après avoir installé le sèche-linge, sélectionnez l'orifice de sortie d'air le mieux adapté.



Amenez le conduit de sortie d'air sur la position adéquate puis recouvrez l'autre orifice avec le couvercle-bandeau et tournez-le dans le sens des aiguilles d'une montre.



Placez l'extrémité du conduit d'évacuation d'air dans l'orifice en veillant à ne pas plier le conduit. Utilisez une bride à conduit pour sécuriser ce dernier. Il faudrait toujours positionner le conduit à l'horizontale ou à la verticale en veillant à ce qu'il ne présente aucun affaissement sur son parcours.

### Conduit d'échappement

Pour que l'appareil offre des performances optimales, il faudrait que le conduit d'échappement soit le plus court possible et comporter aussi peu de coudes que possible. Votre sèche-linge fonctionnera de manière optimale si le flux d'air rencontre le moins d'obstacles possible. Un conduit d'échappement d'une longueur supérieure à celle recommandée risque d'allonger la durée de séchage, provoquer une accumulation de peluches, pénaliser les performances du sèche-linge et sa durée de vie.

Que vous raccordiez le conduit à un système d'aération préexistant ou à un nouveau système, assurez-vous que l'intérieur du conduit est intégralement propre et exempt de peluches.

La longueur maximale permise des conduits rigides et flexibles en métal figure dans le tableau ci-dessous.

Orifice de sortie d'air sur le panneau arrière du sèche-linge :

Nombre de virages ou coudes à 90°	Conduit rigide	Conduit flexible
0	30 ft. (914 cm)	20 ft. (610 cm)
1	22 ft. (671 cm)	15 ft. (457 cm)
2	14 ft. (427 cm)	9 ft. (274 cm)
3	6 ft. (183 cm)	4 ft. (122 cm)

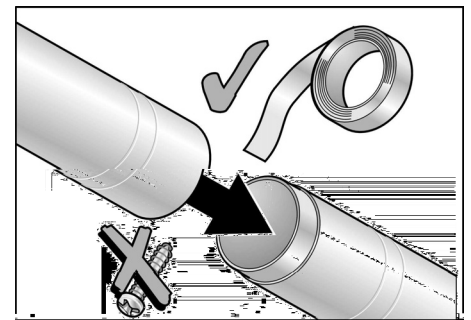
Orifice de sortie d'air sur la paroi latérale gauche du sèche-linge :

Nombre de virages ou coudes à 90°	Conduit rigide	Conduit flexible
0	22 ft. (671 cm)	15 ft. (457 cm)
1	14 ft. (427 cm)	9 ft. (274 cm)
2	6 ft. (183 cm)	4 ft. (122 cm)

Il faudrait utiliser un conduit faisant quatre pouces de diamètre (env. 100 mm). Utilisez soit un conduit en métal rigide, soit un flexible souple en métal. Avec ce sèche-linge, N'UTILISEZ PAS de conduit en plastique ou dans un matériau non métallique.

N'ASSEMBLEZ PAS le conduit d'échappement avec des vis ou des fixations susceptibles de faire saillie à l'intérieur du conduit.

Ces obstacles seraient autant de point d'accumulation des peluches. Immobilisez les jonctions avec du ruban adhésif pour conduit.

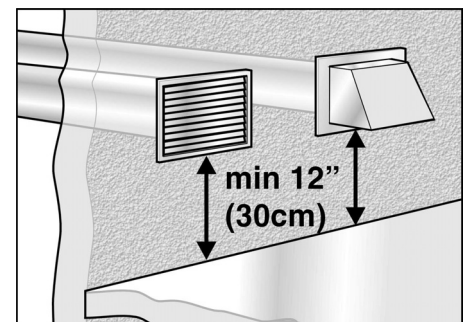


Il faudrait que toutes les jonctions soit étanches pour éviter les fuites. La partie mâle de chaque segment de conduit doit regarder en direction opposée à celle du sèche-linge.

### Hotte d'échappement

Le conduit doit se terminer par une hotte d'échappement homologuée présentant un ou plusieurs volets pivotant. N'UTILISEZ PAS de hotte d'échappement à fermetures magnétiques.

Pour éviter tout freinage de l'air sortant, il faudrait que la bouche de sortie se trouve au minimum 12 pouces (30 cm) au-dessus du niveau du sol ou de toute surface faisant obstruction.



## Installation pas à pas

1. Déballez le sèche-linge.
2. Retirez tous les objets présents dans le tambour.
3. Vérifiez l'absence de dégâts apparents sur le sèche-linge.
4. Placez le sèche-linge à proximité de son emplacement définitif.
5. Si nécessaire, fait adapter le cordon d'alimentation par un électricien (voir page 32).

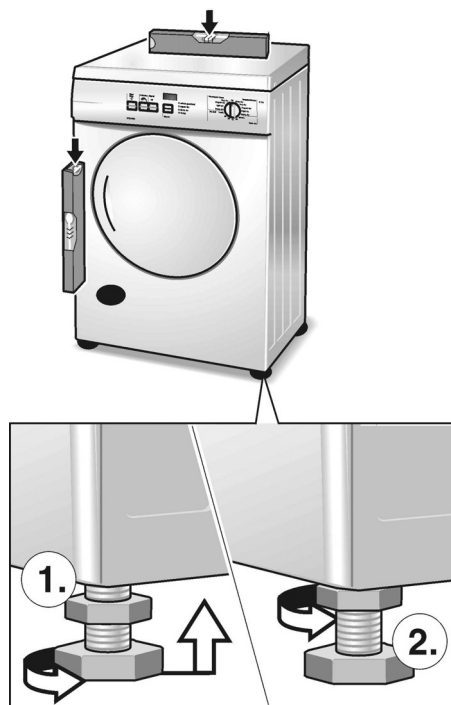
**i** Si l'espace disponible est très exigu, nous recommandons de fixer le conduit d'air d'évacuation au sèche-linge avant d'amener ce dernier sur son emplacement définitif.

6. Connectez le conduit d'air d'évacuation à l'orifice à cet effet sur le sèche-linge. Utilisez une bride à conduit pour sécuriser ce dernier.
7. Amenez le sèche-linge sur son emplacement définitif puis ajustez son horizontalité.

### **⚠ PRUDENCE ⚠**

Ne faites pas glisser le sèche-linge sur le sol si ses pieds réglables en hauteur se trouvent en position sortie. Vous risquez d'endommager les pieds et/ou la base du sèche-linge si vous le faites glisser sur le sol avec les pieds en position sortie.

8. Positionnez le sèche-linge puis ajustez son horizontalité.



Il faudrait que le sèche-linge se retrouve bien à l'horizontale, avec ses quatre pieds fermement en appui sur le sol. Le sèche-linge ne doit pas osciller. S'il n'est pas parfaitement à l'horizontale ou s'il oscille, il faudra corriger le réglage des pieds. Vissez ou dévissez les pieds réglables en hauteur jusqu'à ce que le sèche-linge cesse de s'agiter et se trouve parfaitement à l'horizontale, tant de l'avant vers l'arrière que d'un côté à l'autre.

9. Branchez la fiche mâle dans la prise de courant murale.

## Check-list préalable à l'emploi du sèche-linge

1. Vérifiez que les étapes 1 à 9 ont été correctement réalisées.
2. Assurez-vous que le sèche-linge est raccordé à l'alimentation électrique.
3. Veuillez lire les instructions d'utilisation pour comprendre

comme votre sèche-linge fonctionne.

4. Soumettez l'appareil à un test :
  - Vérifiez que le tambour est vide.
  - Fermez la porte du sèche-linge.
  - Commutez le sèche-linge sur «Extra Dry» (Très sec) puis appuyez sur le bouton Start.
  - Après 3 à 5 minutes, commutez le sèche-linge sur "OFF" et ouvrez la porte.
5. Si l'intérieur du tambour paraît chaud, ceci signifie que vous avez connecté le sèche-linge correctement.
6. Si le sèche-linge ne fonctionne pas, ramenez le programmeur sur «OFF». Reportez-vous à la section de dépannage (page 47) des présentes INSTRUCTIONS D'UTILISATION et déterminez le problème.

## Préparation pas à pas au transport du sèche-linge

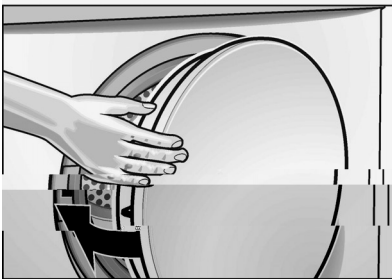
1. Amenez le programmeur sur «OFF».
2. Débranchez la fiche mâle de la prise de courant.
3. Débranchez le conduit d'air d'évacuation de son orifice sur le sèche-linge.
4. Placez les accessoires, si présents, dans le tambour.
5. Fermez la porte et maintenez-la fermée avec du ruban adhésif.
6. Revissez les pieds réglables en hauteur dans le corps de l'appareil pour empêcher qu'ils soient endommagés pendant le transport.

# INSTRUCTIONS D'UTILISATION

## Présentation de votre nouveau sèche-linge.

Votre nouveau sèche-linge est équipé d'un bouton-poussoir.

Appuyez légèrement dessus pour ouvrir la porte...

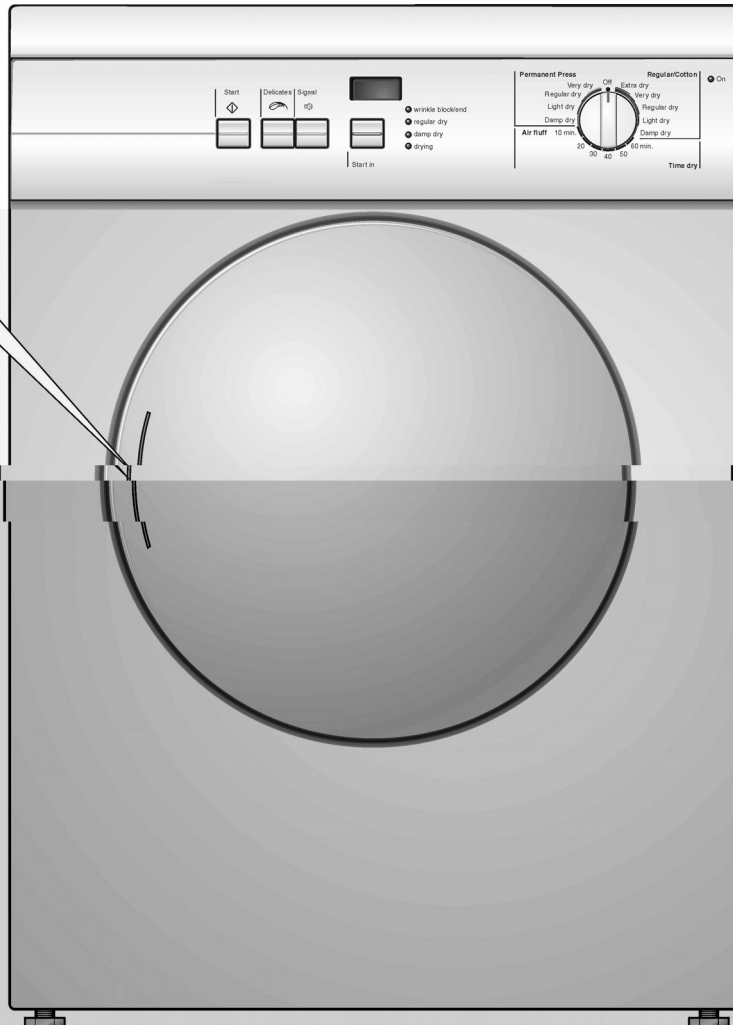
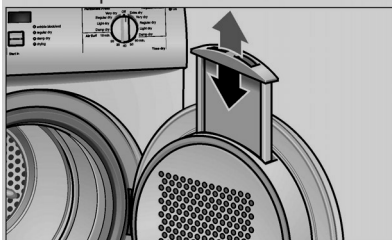


... puis fermez-la.

**⚠ AVERTISSEMENT ⚠**

**NE PERMETTEZ JAMAIS aux enfants de jouer avec la porte.**

Filtre à peluches



# Le bandeau de commande

## Bouton Start

Pour lancer le processus de séchage.

**Boutons des options** (ces options viennent compléter un programme si vous le souhaitez). Voir page 42.

### Déliçats

Appuyez sur ce bouton si vous voulez sécher des textiles délicats, sensibles à la chaleur (par ex. les fibres acryliques). La température du processus de séchage diminue, la durée de séchage augmente en conséquence.

### Signal

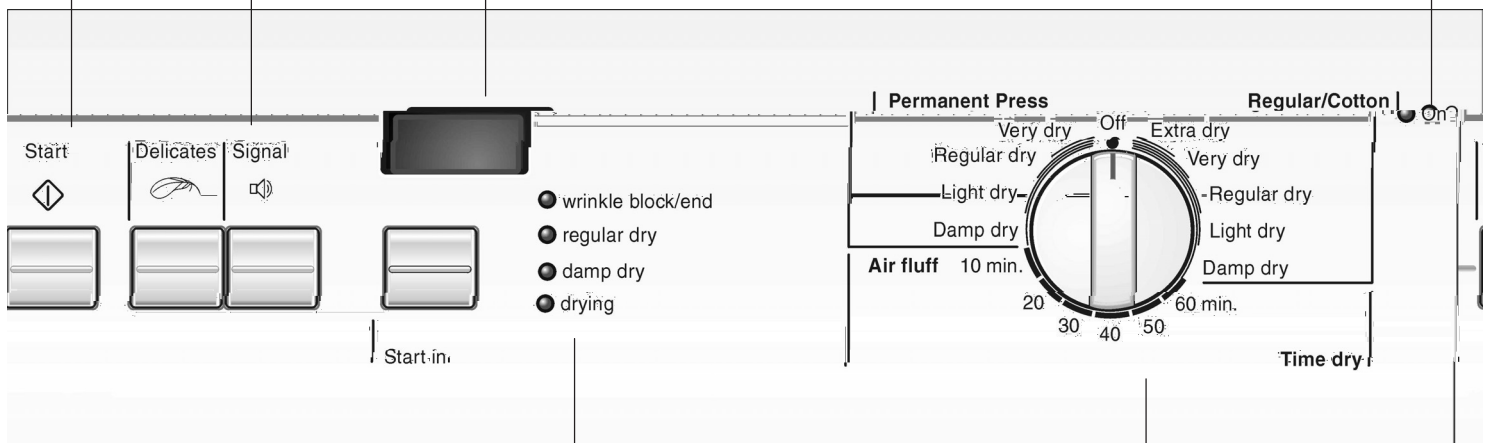
Un signal sonore prévient du commencement et de la fin du programme de séchage.

## Ecran

Indique le «Départ dans» (fonction de programmation du minuteur).

## Voyant indicateur (LED)

Ce voyant est allumé lorsque le sèche-linge se trouve sous tension.



## Voyant indicateur (LED)

Ils indiquent le stade actuel d'avancement du séchage.

## Programmateur

Sélectionnez un programme. Voir page 42.

Vous pouvez le faire tourner dans les deux directions.

Pour éteindre le sèche-linge, ramenez le programmateur sur la position «Off».

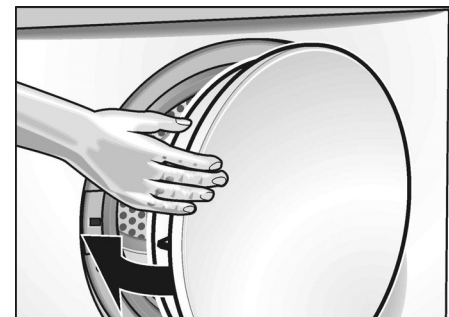
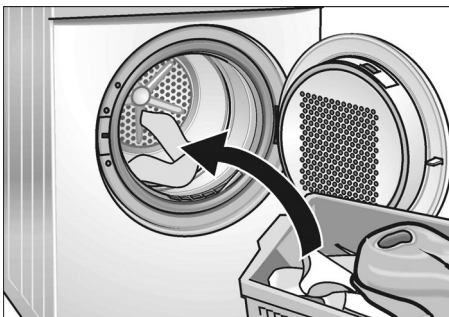
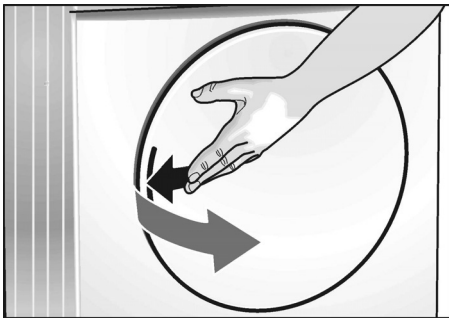
# Résumé des instructions

**AVERTISSEMENT**

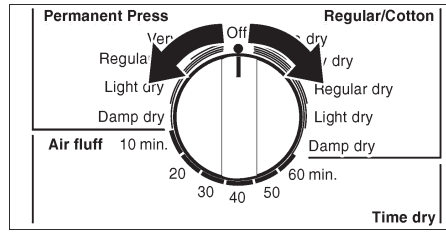
Avant d'utiliser votre sèche-linge, veuillez lire et respecter toutes les instructions d'installation et d'utilisation.

## Préparation du sèche-linge

**i** Vérifiez le filtre à peluches. Il faudrait nettoyer le filtre avant et après chaque séance de séchage.



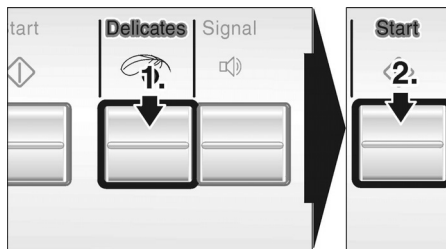
## Sélection d'un programme



## Réglage du départ différé (si nécessaire)

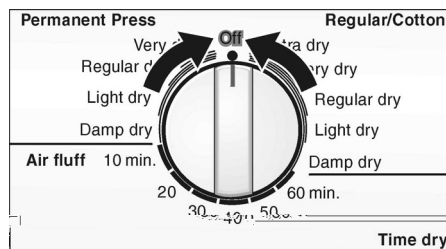


## Choisir une option...

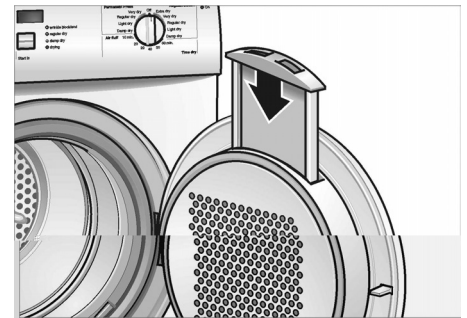
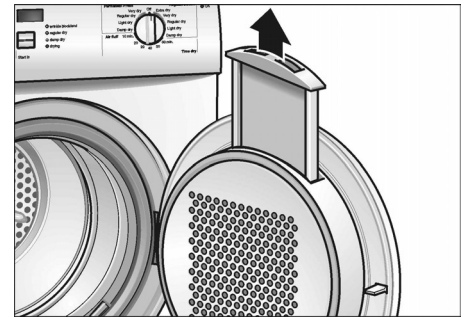


...et faire démarrer le sèche-linge.

## Eteindre le sèche-linge.



## Nettoyer le filtre à peluches



# Informations de sécurité

## **DANGER**

Respectez toujours les INSTRUCTIONS DE SÉCURITÉ IMPORTANTES (voir page 28).

## **DANGER**

### **RISQUE D'EXPLOSION !**

Du sèche-linge, éloignez les matériaux inflammables comme l'essence, et les vapeurs qu'ils dégagent.

Eloignez toutes les matières et vapeurs inflammables du sèche-linge (comme l'essence par exemple).

Ne séchez jamais dans l'appareil des objets qui à un moment ou à un autre ont été en contact avec une matière inflammable, huile de cuisine comprise (et même après les avoir lavés).

Il faudra faire sécher les pièces de linge contenant de la mousse, du caoutchouc ou du plastique sur un fil à linge ou en vous servant d'un cycle de défoulage du linge.

Vérifiez absolument que le linge que vous allez mettre à sécher ne contient pas d'objets inflammables tels que des briquets.

Le non-respect de ces instructions peut engendrer un risque d'explosion ou d'incendie.

**Danger de mort ou de blessures !**

## Utilisation prévue

N'utilisez ce sèche-linge que dans la maison et pour sécher des quantités normales de linge dans votre ménage.

Ne vous en servez que pour sécher du linge qui a été lavé à l'eau.

## Avant d'allumer le sèche-linge

Installez le sèche-linge conformément aux instructions d'installation (à partir de la page 30).

N'utilisez pas le sèche-linge s'il est visiblement endommagé. En cas de doute, contactez votre revendeur.

## Utilisation du sèche-linge

Ne laissez pas les enfants jouer sans surveillance près de l'appareil. Eloignez les animaux de compagnie de l'appareil. Avant de refermer la porte, vérifiez le contenu du tambour.

Enlevez tous les objets présents dans les poches. Les briquets restés dedans sont particulièrement dangereux.

### **Risque d'explosion !**

Eteignez le sèche-linge à la fin du programme.

## Protection du sèche-linge

Ne montez pas sur le sèche-linge. Ne vous appuyez pas sur la porte et ne vous asseyez pas dessus.

### **Le sèche-linge risque de se renverser !**

Ne rangez pas à proximité de l'appareil des auxiliaires de nettoyage contenant des solvants, ou des produits détachants. Vous risqueriez d'endommager le sèche-linge.

Ne tentez pas de le soulever par ses parties saillantes (le hublot par ex.).

### **Risque de rupture et de blessures !**

# Protection de l'environnement

## Conseils pour économiser de l'énergie

Pour économiser de l'énergie, de l'argent et du temps, Bosch vous recommande ceci :

- **Essorez suffisamment le linge.**  
Avant le séchage, faites bien essorer le linge dans le lave-linge. Servez-vous de la plus haute vitesse d'essorage possible adaptée au type de linge. Une vitesse d'essorage assez élevée réduit la durée du séchage et la consommation d'énergie.
- **Mettez la charge maximale de linge.**  
Mettez une charge de linge correspondant au maximum recommandé. Ne chargez toutefois pas de quantités excessives de linge.
- **Nettoyez le filtre.**  
Nettoyez le filtre avant et après chaque séance de séchage (voir page 46).
- **Aérez la pièce.**  
Pendant la séance de séchage, veillez à ce qu'il arrive suffisamment d'air frais dans la pièce.
- **Ne séchez pas de matériaux inadaptés!**  
Ne faites pas sécher de pièces de linge enrobées de caoutchouc ou hermétiques.
- **Nettoyez et vérifiez le conduit d'échappement d'air de façon régulière!**  
Les obstructions pourraient en effet allonger la durée de séchage.



---

# Avant d'utiliser le sèche-linge pour la première fois

Avant de vous servir du sèche-linge pour la première fois :

1. Veuillez lire attentivement les présentes instructions d'utilisation.
2. Vérifiez que la tension du secteur de votre domicile correspond avec la tension spécifiée sur la plaque signalétique du sèche-linge. Voir la figure page 48.
3. Retirez tous les objets présents dans le tambour.
4. Vérifiez l'absence de dégâts apparents sur le sèche-linge. Si vous en trouvez, prévenez votre revendeur.
5. Essuyez l'intérieur du tambour à l'aide d'un chiffon humide.
6. Soumettez l'appareil à un test. Voir page 36.
7. Si le sèche-linge ne fonctionne pas, ramenez le programmeur sur «OFF». Reportez-vous à la section de dépannage (page 47) des présentes instructions d'utilisation et déterminez le problème.

---

# Débranchement temporaire du sèche-linge

Ne faites marcher votre sèche-linge que pendant que vous vous trouvez à votre domicile. Si vous partez en vacances ou si l'appareil doit rester assez longtemps sans servir, il faudrait :

1. Ramener le disjoncteur en position éteinte.
2. Débrancher la fiche mâle de la prise de courant.
3. Nettoyer le filtre à peluches.

---

# Linge

## Détermination de la nature du tissu

Veuillez respecter les symboles de traitement figurant sur les étiquettes des pièces de linge. Elles contiennent des informations précieuses ainsi que des restrictions quant au processus de séchage.

Avec cet appareil, ne séchez pas les textiles suivants :

- Textiles étanches (par ex. enrobés de caoutchouc)
- Les textiles délicats (soie, voilages synthétiques)

**i** Servez-vous du programme à durée limitée «Air fluff» (défoulage à l'air) pour sécher les articles contenant du caoutchouc mousse ou des articles à texture similaire à celle du caoutchouc.

## Conseils pour le séchage

En principe, les instructions suivantes s'appliquent à tous les programmes de séchage :

- Pour assurer un résultat de séchage uniforme, triez le linge conformément aux types de tissu et au programme voulu.
- Fermez les fermetures à glissières, à crochets et à boutons. Fixez les ceintures détachées, les lanières des tabliers, etc.
- Ne séchez pas à l'excès le linge synthétique – risque de le froisser ! Laissez ce linge finir de sécher à l'air.
- Ne repassez pas le linge immédiatement après le séchage. Laissez le linge reposer en pile pendant un petit moment. Ceci permettra à l'humidité résiduelle de se répartir uniformément.
- Les textiles à mailles (par ex. les t-shirts, le linge en coton tricoté en jersey) rétrécit souvent lors du premier séchage au sèche-linge. N'utilisez pas le programme «Very dry/Extra dry».

# Sélection du programme

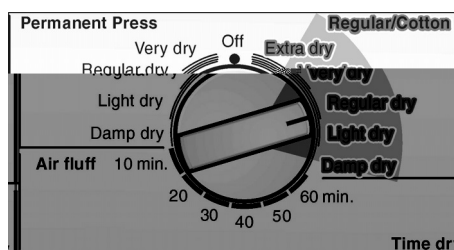
Pour obtenir des résultats de séchage optimaux, votre sèche-linge offre différents groupes de programmes et options additionnelles.

Sélectionnez le programme de séchage requis dans le tableau des programmes, en fonction des exemples (voir page 43).

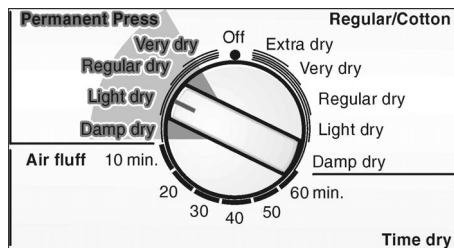
## Programmes automatiques

Il existe des programmes automatiques adaptés aux différents types de textiles. (Blanc / Coton ou Infroissable).

### Linge normal/Coton

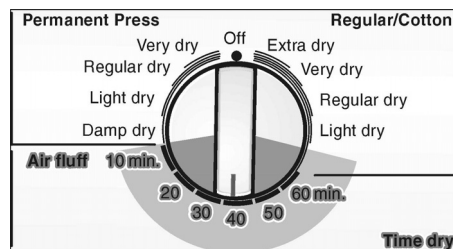


### Linge infroissable



Le déroulement des programmes automatiques est surveillé par des capteurs. La durée du programme dépend du degré d'humidité mesuré dans le linge et du degré de séchage sélectionné (par ex. Damp dry ou Extra dry (humide ou extra sec)).

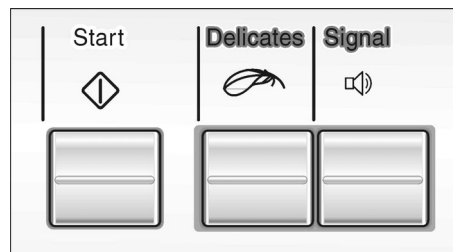
## Programmes assortis d'une durée



Les programmes à durée réglable marchent pendant la durée spécifiée (20, 30, 40, 50, 60 minutes).

Sur la position «Air Fluff», le sèche-linge fait pénétrer l'air ambiant dans le tambour sans ajout de chaleur pendant 10 minutes.

## Options



### Déliçats

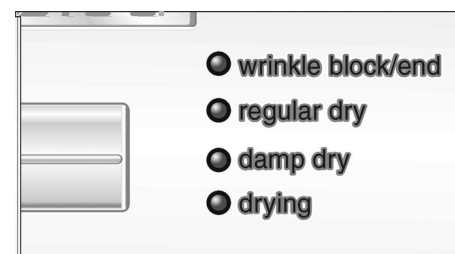
Appuyez sur le bouton **Delicates** pour sécher les textiles craignant la chaleur. Respectez les conseils ou symboles d'entretien figurant sur ces textiles. La température du processus de séchage diminue, la durée de séchage augmente.

### Signal sonore

A condition d'avoir appuyé sur le bouton **Signal**, votre sèche-linge signale le commencement et la fin des programmes de séchage.

## Indicateur de déroulement du programme

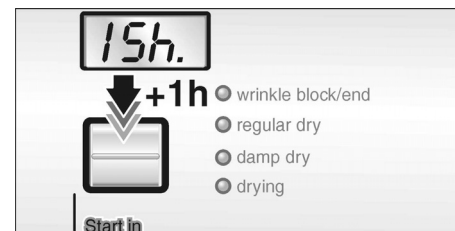
Le sèche-linge utilise un système de scannérisation électronique dans tous les programmes excepté les programmes à durée réglable. Un capteur d'humidité vérifie constamment l'humidité présente dans le linge. Le séchage prend fin automatiquement dès que le degré de séchage sélectionné a été atteint.



Le degré actuel de séchage et le niveau atteint pendant la séquence du programme sont indiqués par des voyants (séchage, humide, normalement sec / fin).

## Fonction de programmation du minuteur

Vous pouvez régler le programme de sorte que l'appareil démarre jusqu'à 19 heures plus tard. Vous pouvez accroître cette durée par tranches d'une heure.



Voir également page 45 "Programmation du minuteur".

# Tableau de sélection des programmes

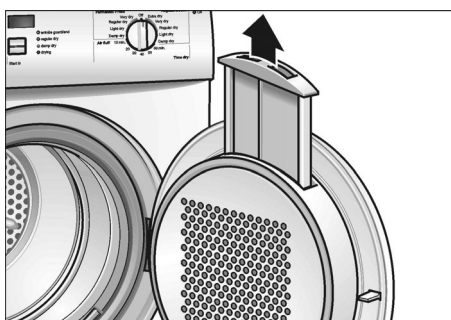
Programmes automatiques		
Pour le cotons et le linge de couleur en coton ou en lin Appuyez sur le bouton «Delicates» destiné aux textiles sensibles à la chaleur.		«Regular/Cottons» Programme automatique
	<b>Pour le linge,</b>	
Lingerie de lit et de table	qu'il faut repasser	Humide (damp dry)
Lingerie de lit et de table, serviettes, T-shirts, maillots de sport, tabliers		
T-shirts, maillots de sport, tenues, pantalons, tabliers, lingerie de corps		
Serviettes en tissu éponge, serviettes de cuisine et à mains, lingerie de lit, lingerie de corps, chaussettes en coton	qu'il ne faut pas repasser	Regular dry (normalement sec)
Serviettes en tissu éponge, serviettes de cuisine et à mains, lingerie de lit, lingerie de corps, chaussettes en coton	qu'il ne faut pas repasser, à plusieurs couches épaisses	Very dry (très sec)
Peignoirs de bain en tissu éponge, linge de lit en tissu éponge	particulièrement épais ou comportant plusieurs couches	Extra dry (extra sec)
Linge facile à entretenir (encore gouttant), à base de tissus synthétiques et mixtes, de coton, en polyester par ex. Appuyez sur le bouton «Delicates» pour sécher les textiles très sensibles à la chaleur.		«Permanent press» (Infroissable) Programme automatique
	<b>Pour le linge,</b>	
Pantalons, tenues, jupes, chemises	qui ont besoin de repassage	Humide (damp dry)
Pantalons, prêt-à-porter, robes et chemises, chemisiers, leggings, tenues de sport à forte teneur en matières synthétiques	qui n'ont besoin que d'un repassage léger ou de pas de repassage du tout	Légèrement sec
Chemises, chemisiers, tenues de sport	qu'il ne faut pas repasser	Regular dry (normalement sec)
Lingerie de lit et de table, survêtements, couettes, draps	qu'il ne faut pas repasser, à plusieurs couches épaisses	Very dry (très sec)
Programmes assortis d'une durée		«Séchage à durée réglable»
Textiles pré-séchés, à faible teneur en humidité, petits articles personnels comme par ex. les serviettes de bain, les tenues de bain, les serviettes de table. Si le tambour est très peu chargé (de 0,22 à 0,44 lb) (0,1–0,2 kg), soit par exemple une petite serviette, il faudrait sélectionner un programme de séchage à durée réglable. Appuyez sur le bouton «Delicates» pour sécher les textiles craignant la chaleur.		
– Le cotons et le linge de couleur en coton ou en lin.		20, 30, 40, 50, 60 min
– Textiles sensibles à la chaleur.		20, 30, 40, 50, 60 min
Rafraîchissement ou aération de la lingerie peu portée et séchage de textiles craignant beaucoup la chaleur. Pour tous les types de textiles, y compris le caoutchouc mousse (par ex. les oreillers, les jouets rembourrés), le plastique (par ex. les rideaux de douche, les serviettes de table), le caoutchouc, le nylon seul, le polypropylène.		Défouler à l'air (10 min)

# Utilisation

## Utilisation du sèche-linge

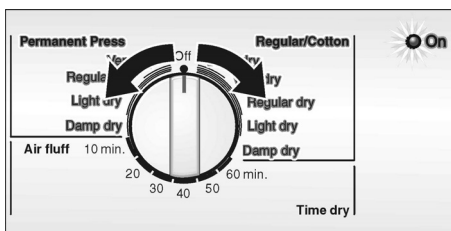


1. Ouvrez la porte.



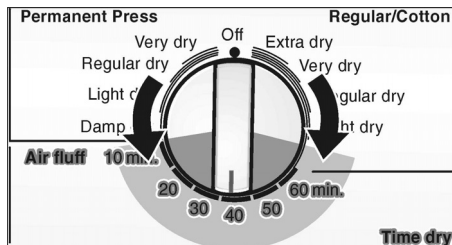
2. Vérifiez le filtre à peluches.

Il faut nettoyer le filtre après et avant chaque séchage. Le nettoyage du filtre réduit la durée de séchage et permet d'économiser de l'énergie.

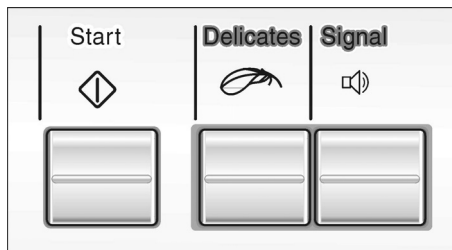


3. a) Amenez le programmateur sur le programme voulu. A l'aide du tableau de sélection, choisissez un programme adapté au linge présent dans le tambour (voir page 43).

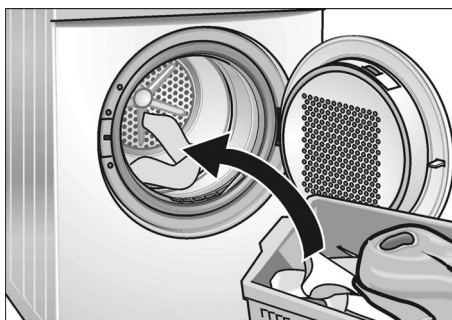
ou



b) Amenez le programmateur sur «Time dry/...min.»



4. Si nécessaire, sélectionnez «Option» en appuyant sur le bouton. L'explication des options figure à la page 42.



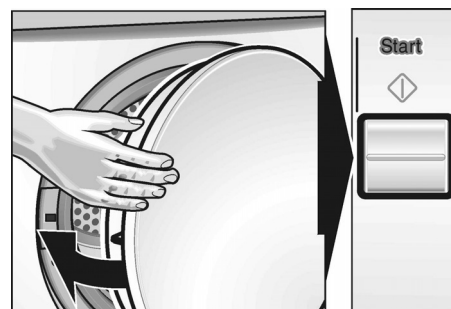
5. Introduisez le linge dans le tambour vide. Placez individuellement chaque pièce de linge dans la machine. Pour obtenir les meilleurs résultats, trie d'abord le linge en fonction du type de linge et du degré de séchage requis. La page 41 contient des informations plus détaillées.

**i** Respectez les symboles de séchage utilisés par le fabricant du linge.

Assurez-vous qu'il n'y a que du linge dans le tambour. Vérifiez que toutes les pièces de linge se trouvent entièrement dans le tambour.

6. Refermez la porte.

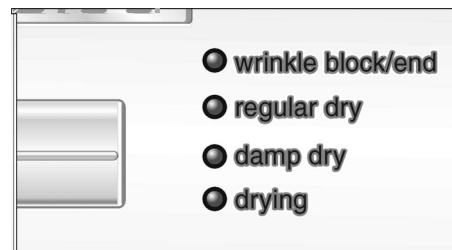
**i** Si vous n'avez pas fermé la porte correctement, le sèche-linge ne démarrera pas.



7. Appuyez sur le bouton **Start**. Le voyant indicateur **On** s'allume.

**i** Le programme démarre avec émission d'un signal sonore (si vous l'avez réglé).

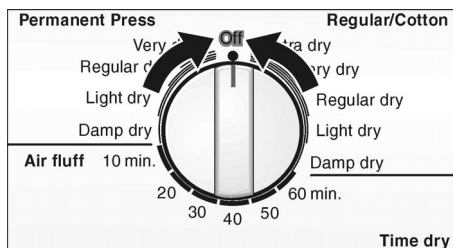
Si vous avez sélectionné un programme standard, les voyants s'allument pour indiquer le déroulement de la séquence du programme.



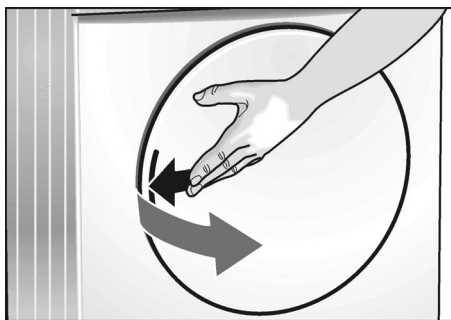
**i** En fin de programme, un signal sonore retentit (s'il a été programmé) et la LED «Anti-froissage/fin» s'allume.

**i** **Fonction anti-froissage**

Une fois le processus de séchage terminé (le programme ou le programme à durée réglable a pris fin), le tambour continue de tourner par intermittence pendant 1 heure. Ceci empêche le linge de se froisser. Le linge repose en vrac et bien défoulé dans le tambour jusqu'à ce que vous l'en retiriez. Il faudrait retirer le linge avant que ce délai ait expiré.



8. Amenez le programmateur sur «Off». Le voyant indicateur s'éteint.

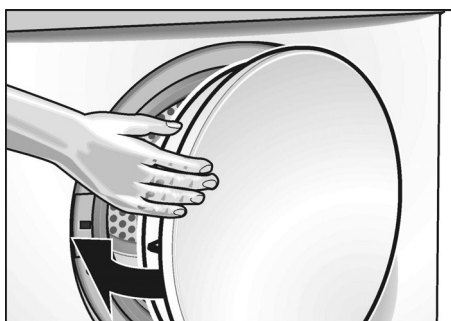


9. Ouvrez la porte.

10. Sortez le linge du sèche-linge.

11. Nettoyez le filtre.

Il faudrait nettoyer le filtre après chaque séance de séchage. Le nettoyage du filtre réduit la durée de séchage et permet d'économiser de l'énergie.



12. Refermez la porte.

**i** Si la pièce de linge concernée contient encore une humidité résiduelle une fois écoulée la durée de séchage indiquée,

- Faites redémarrer le programme et
- Réduisez la durée du séchage en fonction du degré d'humidité résiduelle voulu.

## Ajout de linge

1. Ouvrez la porte. Le cycle de séchage s'interrompt.
2. Ajoutez ou enlevez du linge.
3. Refermez la porte.
4. Sélectionnez un autre programme si nécessaire, à l'aide du sélecteur de programme (voir le tableau des programmes à partir des pages 43 et suivantes).
5. Appuyez sur le bouton **Start**. Le voyant indicateur **On** s'allume.

## Programmation du minuteur

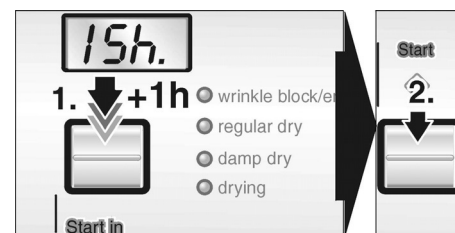
Vous pouvez retarder le démarrage du programme de jusqu'à 19 heures.

Réglez le minuteur comme suit :

1. Sélectionnez le programme dont vous avez besoin à l'aide du **sélecteur de programme**.
2. Appuyez sur le bouton **Départ** dans. La mention **0h** clignote.



**i** La mention clignote jusqu'à ce que vous appuyiez sur **Start** ou que vous rameniez le **sélecteur de programmes** sur la position **Off**.



3. Appuyez sur **Start** de façon répétitive jusqu'à ce que s'affiche la valeur requise.

4. Appuyez sur le bouton **Start** pour mémoriser le nombre d'heures et pour que le compte à rebours commence. Le compte à rebours des heures commence. Le point clignote. Le compte à rebours a lieu par pas d'une heure.

Vous pouvez ouvrir la porte à tout moment. Ceci n'affecte pas le différé que vous venez de régler. Les mentions affichées clignotent. Le programme reprend lorsque vous refermez la porte puis appuyez sur le bouton **Start**.

Vous pouvez effacer ou modifier le différé à tout moment.

1. Ramenez le **sélecteur de programme** sur la position **Off**. Ce geste annule la programmation du minuteur.
2. Servez-vous du **sélecteur de programme** pour sélectionner le programme dont vous avez besoin.
3. Appuyez sur le bouton **Start** puis réglez un nouveau différé (voir ci-dessus).

# Nettoyage et entretien

## Nettoyage du sèche-linge



**DANGER**

### RISQUE D'EXPLOSION !

Pour nettoyer, n'utilisez jamais de solvants ou de liquides inflammables.



**PRUDENCE**

Un nettoyage incorrect peut endommager le sèche-linge. Ne le nettoyez pas avec un jet d'eau. N'utilisez pas de produits récurants ou de détergents multi-usage. N'utilisez pas non plus de nettoyeurs à vapeur.

Essuyez le corps de l'appareil et le bandeau uniquement avec un chiffon doux additionné d'un peu d'eau savonneuse.

Essuyez le tambour, le joint de la porte et l'intérieur de la porte uniquement avec un chiffon humide.

## Nettoyage du filtre à peluches

Un filtre sale accroît la durée de séchage ainsi que la consommation d'énergie.

Il faudrait nettoyer le filtre avant et après chaque séance de séchage.

### 1. Eteignez le sèche-linge.

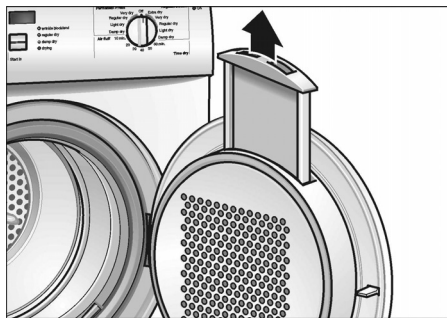
Ramenez le programmateur sur «Off».



**PRUDENCE**

L'intérieur de la porte s'échauffe pendant le séchage.

### 2. Ouvrez la porte.



### 3. Retirez le filtre à peluches.



### 4. Retirez les peluches en passant la main sur le filtre.

Il faudrait rincer le filtre une fois par an sous l'eau du robinet chaude. Séchez bien le filtre avant de le remettre en place.

### 5. Remettez le filtre en place.

### 6. Refermez la porte.

## Nettoyage du conduit d'échappement

Inspectez et nettoyez le conduit d'échappement au moins une fois par an pour empêcher qu'il ne se bouche. Un conduit d'échappement partiellement obstrué allonge la durée de séchage.

- Ramener le disjoncteur en position éteinte
- Débranchez la fiche mâle de la prise de courant.
- Débranchez le conduit du sèche-linge.

- Passez l'orifice de sortie d'air à l'aspirateur en partant de l'arrière et en progressant vers l'avant. Veillez à ce que l'orifice ne soit pas bouché !
- Passez le conduit à l'aspirateur puis rebranchez-le.

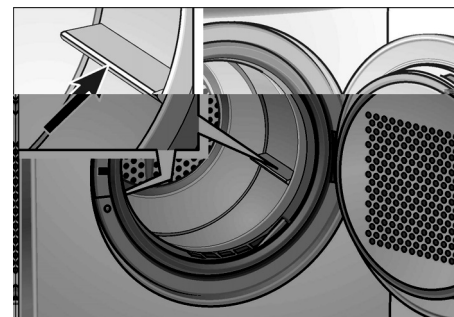
## Nettoyage des capteurs d'humidité

Il faut nettoyer les deux sondes d'humidité car une fine couche de matière transparente s'est déposée dessus.

Ce dépôt s'enlève facilement en essuyant les capteurs au moyen d'un chiffon et d'un peu de vinaigre blanc.

N'utilisez que du vinaigre blanc. Nettoyez les deux sondes d'humidité une fois par mois.

Les sondes d'humidité sont situées sur les aubes du tambour.



# Dérangement et remèdes

## **DANGER**

RISQUE DE CHOC ELECTRIQUE ! Les réparations et le remplacement de pièces sont des opérations réservées uniquement à des techniciens agréés.

Avant d'appeler le service après-vente, veuillez vérifier si le dérangement ne se laisse pas supprimer à l'aide du tableau ci-dessous.

Si vous ne parvenez pas à la supprimer ou si une réparation s'impose :

1. Réglez le sélecteur de programme sur «OFF».
2. Ramener le disjoncteur en position éteinte.
3. Débranchez l'appareil.
4. Appelez le service après-vente (voir page 48).

Problème	Cause possible	Remède
Le sèche-linge ne démarre pas. Le voyant indicateur <b>On</b> reste éteint.	Fiche mâle pas branchée du tout ou alors incorrectement dans la prise de courant.	Branchez la fiche mâle correctement dans la prise de courant.
	Un fusible / disjoncteur protégeant le secteur de la maison a grillé / disjoncté.	Remplacez le fusible / Réarmez le disjoncteur.
	Vous n'avez pas appuyé sur le bouton <b>Start</b> .	Appuyez sur le bouton <b>Start</b> .
	Vous n'avez pas sélectionné de programme.	Sélectionnez un programme.
	Porte pas fermée.	Refermez la porte.
	Température ambiante inférieure à 41 °F / 5 °C	Accroissez la température de la pièce
Le sèche-linge ne démarre pas. Le nombre affiché d'heures de différé ( <b>Départ dans</b> ) clignote.	Vous n'avez pas mémorisé le nombre d'heure choisi.	Appuyez sur le bouton <b>Start</b> pour mémoriser le nombre d'heures et pour que le compte à rebours commence.
La porte s'ouvre d'elle-même.	La broche verrouillée n'a pas enclenché.	Poussez la porte pour la fermer, jusqu'à ce que vous entendiez la broche enclencher en place.
Le programme a été interrompu.	Le filtre à peluches est sale.	Nettoyez le filtre comme décrit à la page 46. Eteignez l'appareil puis rallumez-le ensuite.
	Conduit d'échappement d'air obstrué ou trop long.	Nettoyez le conduit d'échappement. Ramenez le conduit d'évacuation d'air à sa longueur maximale (voir page 35). Eteignez l'appareil puis rallumez-le ensuite.
	Défaut dans le déroulement du programme ou dysfonctionnement.	Eteignez le sèche-linge, laissez-le refroidir pendant 30 minutes puis rallumez-le. Relancez ensuite le programme.
	La pièce / le réduit n'est pas correctement aéré.	Prévoyez un apport suffisant d'air frais. Eteignez l'appareil puis rallumez-le ensuite.
Degré de séchage pas atteint ou durée de séchage trop longue.	Capteur d'humidité sale.	Nettoyez le capteur d'humidité comme décrit à la page 46. Eteignez l'appareil puis rallumez-le ensuite.
	Conduit d'échappement d'air obstrué ou trop long.	Nettoyez le conduit d'échappement. Ramenez le conduit d'évacuation d'air à sa longueur maximale (voir page 35). Eteignez l'appareil puis rallumez-le ensuite.
	Le filtre à peluches est sale.	Nettoyez le filtre comme décrit à la page 46. Eteignez l'appareil puis rallumez-le ensuite.
	Linge trop humide.	Dans le lave-linge, essorez le linge à une vitesse plus élevée. Eteignez l'appareil puis rallumez-le ensuite.

Problème	Cause possible	Remède
Degré de séchage pas atteint ou durée de séchage trop longue.	Sélection d'un programme inadapté.	Sélectionnez le programme en vous servant du tableau de sélection des programmes (voir page 43). Eteignez l'appareil puis rallumez-le ensuite.
	Dépassement de la durée maximale de séchage	Nettoyez le filtre (voir page 46). Vérifiez l'orifice de sortie du conduit d'échappement. Dans le lave-linge, essorez le linge à une vitesse plus élevée.
	Dépassement de la température limite du moteur.	Eteignez le sèche-linge, laissez-le refroidir pendant 30 minutes. Rallumez-le ensuite. Faites démarrer un programme.

## SERVICE ET RÉPARATIONS

### ⚠ PRUDENCE ⚠

**PRUDENCE** – Etiquetez tous les fils avant de les débrancher lorsque vous effectuez des contrôles de service. Des erreurs de câblage peuvent engendrer un fonctionnement inadéquat et des situations dangereuses. Après avoir soumis l'appareil à une opération de service, vérifiez qu'il fonctionne correctement.

Ce sèche-linge ne demande aucun entretien particulier autre que les opérations de nettoyage et entretien précédemment mentionnées.

**i** Si votre sèche-linge cause problème, consultez le tableau de la page 47 avant d'appeler le service après-vente.

Si des opérations de SAV s'avèrent nécessaires, veuillez contacter votre installateur ou un point de SAV agréé. Ne tentez pas de réparer l'appareil par vos propres moyens. Toute réparation accomplie par des personnes non autorisées risque de vous faire perdre le bénéfice de la garantie.

Si le sèche-linge vous cause un problème quelconque, et si les prestations reçues ne vous ont pas satisfait,

- Commencez s.v.p. par contacter votre installateur ou l'entreprise de SAV Bosch agréée située dans votre région, et expliquez-lui les raisons de votre mécontentement. Ceci suffira normalement à résoudre le problème.
- Si le problème persiste après avoir collaboré avec votre installateur ou avec le technicien du SAV, faites-nous le savoir soit en nous écrivant à l'adresse suivante,

BSH Home Appliances  
5551 Mc Fadden Ave.  
Huntington Beach, LA 92649,  
USA

soit en nous appelant au numéro suivant :

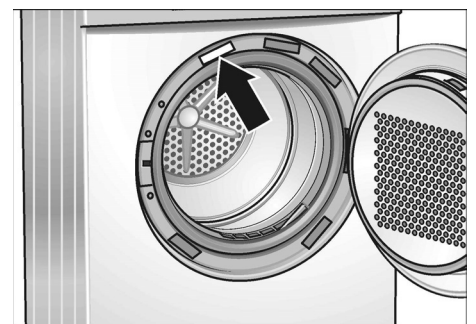
**1-800-944-2904.**

Si vous nous écrivez, n'oubliez pas de joindre / Si vous nous appelez, n'oubliez pas de préparer, les informations suivantes :

- Le numéro du modèle
- Le numéro de série
- La date d'achat d'origine
- La date d'apparition du problème
- Une description du problème

De même, si vous nous écrivez, veuillez joindre une copie de la facture et nous indiquer un numéro de téléphone où nous pouvons vous joindre dans la journée.

Vous trouverez le numéro du modèle et le numéro de série sur la plaque signalétique située sur la face intérieure du panneau avant.





# DECLARATION DES GARANTIES Sèche-LINGE BOSCH

Les garanties fournies par BSH Home Appliances (ci-après dénommé «Bosch») dans la présente déclaration s'appliquent exclusivement aux sèche-linge

Bosch vendus par Bosch au premier acheteur par Bosch ou par ses revendeurs agréés, ses détaillants ou centres de service après-vente, aux Etats-Unis ou au

Canada. Les garanties figurant dans cette déclaration ne sont pas transférables. Les garanties figurant dans cette déclaration ne sont pas transférables.

DUREE DE LA GARANTIE	ETENDUE DE LA GARANTIE
1 an de garantie limitée complète à compter de la date d'installation*	Bosch réparera ou remplacera gratuitement toute pièce s'avérant défectueuse dans les conditions normales d'utilisation domestique, frais de main d'œuvre et d'expédition inclus. Les réparations sous garantie devront être effectuées par un Centre Bosch du Service Après-Vente (SAV).
2 ans de garantie limitée à compter de la date d'installation*	Bosch fournira gratuitement les pièces de rechange de toute pièce s'avérant défectueuse dans les conditions normales d'utilisation domestique, frais d'expéditions inclus.
2 ans de garantie limitée sur l'électronique à compter de la date d'installation*	Bosch réparera ou remplacera gratuitement tout microprocesseur ou circuit imprimé qui s'est avéré défectueux dans des conditions d'utilisation domestique normale à partir de la date d'installation originale, sachant que les frais de main-d'œuvre seront facturés.
2 ans de garantie limitée sur le moteur à compter de la date d'installation*	Bosch réparera ou remplacera gratuitement tout moteur ou composant de moteur qui s'est avéré défectueux dans des conditions d'utilisation domestique normale à partir de la date d'installation originale, sachant que les frais de main-d'œuvre seront facturés.
*La date d'installation sera réputée la plus précoce des deux dates suivantes : soit la date à laquelle le sèche-linge a été installé, soit dix jours ouvrables après la date de livraison.	

## Exclusions de garantie

La présente garantie ne couvre pas les interventions et réparations effectuées par le service après-vente dans le but de corriger l'installation du sèche-linge, de fournir des instructions sur l'utilisation de votre sèche-linge, de remplacer les disjoncteurs ou fusibles électriques ou l'installation électrique de votre foyer, ou de réparer tout sèche-linge qui a été utilisé dans des conditions autres que normales et habituelles dans un logement. En outre, les garanties fournies dans la présente déclaration excluent tout défaut ou dommage provoqué par un accident, une modification, un usage inexpert ou abusif, une installation incorrecte, des travaux de service après-vente par des personnes non autorisées, des facteurs extérieurs échappant au contrôle de Bosch tels qu'un incendie, une inondation, et autres

cas de force majeure, ou si l'installation ne se conforme pas aux règlements locaux visant le secteur électrique, les fusibles et disjoncteurs. Les frais de main-d'œuvre engendrés par les réparations ou le remplacement de tout sèche-linge après une période d'un an courant depuis la date d'installation ne seront plus couverts par la présente garantie. Toutes pièces remplacées et/ou réparées acquerront le statut des pièces d'origine aux fins de la période de garantie applicable : elles n'engendreront aucune prolongation de la période de garantie. SAUF EXCEPTION LEGALE, LA PRESENTE GARANTIE REMPLACE TOUTES AUTRES GARANTIES EXPLICITES OU IMPLICITES, Y COMPRIS LES GARANTIES IMPLICITES DE COMMERCIALISABILITE ET D'ADEQUATION A UN BUT PRECIS. BOSCH DECLINE TOUTE RESPONSABILITE DES

DOMMAGES ACCESSOIRES ET CONSECUTIFS. POUR BENEFICIER DES PRESTATIONS DE SERVICE SOUS GARANTIE, VEUILLEZ CONTACTER LE CENTRE DE SERVICE BOSCH AGREE LE PLUS PROCHE OU TELEPHONEZ AU 1-800-944-2904, OU ENCORE ECRIVEZ A :

BSH HOME APPLIANCES CORP.  
5551 MC FADDEN AVENUE,  
HUNTINGTON BEACH  
CA 92649.

VEUILLEZ À BIEN INDIQUER LE NUMÉRO DU MODÈLE DE SÈCHE-LINGE, SON NUMÉRO DE SÉRIE, LA DATE D'ACHAT, LE NOM ET L'ADRESSE DU REVENDEUR, AINSI QU'UNE COPIE DE LA FACTURE.





# Índice

<b>Definiciones</b> .....	<b>53</b>
<b>INSTRUCCIONES IMPORTANTES DE SEGURIDAD</b> .....	<b>54</b>
INSTRUCCIONES PARA LA PUESTA A TIERRA .....	55
<b>INSTRUCCIONES PARA LA INSTALACIÓN</b> .....	<b>56</b>
Introducción .....	56
Información sobre eliminación de residuos .....	56
Antes de instalar el secador .....	56
Emplazamiento .....	57
Conexión eléctrica .....	58
Instrucciones para la conexión a tierra .....	60
Conexión del tubo de aire de salida .....	60
La instalación paso a paso .....	62
Lista a controlar antes de usar el secador .....	62
Preparar el secador para el transporte, paso a paso .....	62
<b>INSTRUCCIONES DE FUNCIONAMIENTO</b> .....	<b>63</b>
Su nuevo secador .....	63
Panel de manejo .....	64
<b>Resumen de instrucciones</b> .....	<b>65</b>
<b>Informaciones para su seguridad</b> .....	<b>66</b>
Uso previsto .....	66
Antes de encender su secador .....	66
Uso del secador .....	66
Protección del secador .....	66
<b>Protección del medio ambiente</b> .....	<b>66</b>
<b>Antes de usar el secador por primera vez</b> .....	<b>67</b>
<b>Desconexión temporal del secador</b> .....	<b>67</b>
<b>Ropa</b> .....	<b>67</b>
Identificación de prendas .....	67
Consejos para el secado .....	67
<b>Selección del programa</b> .....	<b>68</b>
Programas automáticos .....	68
Programas temporizados .....	68
Opciones .....	68
Indicador de estado del programa .....	68
Función de tiempo programado .....	68
<b>Tabla de selección de programas</b> .....	<b>69</b>
<b>Funcionamiento</b> .....	<b>70</b>
Uso del secador .....	70
Agregar ropa .....	71
Programado del temporizador .....	71
<b>Limpieza y cuidado</b> .....	<b>72</b>
Limpieza del secador .....	72
Limpiar el filtro para pelusas .....	72
Limpiar el tubo de aire de salida .....	72
Limpiar el sensor de humedad .....	72
<b>Localización de fallos</b> .....	<b>73</b>
SERVICIO y REPARACIONES .....	74
<b>DECLARACIÓN DE GARANTÍA PARA SECADORES PARA ROPA BOSCH</b> .....	<b>75</b>
Exclusiones .....	75

Lo felicitamos por haber elegido el secador de prendas Bosch. Una elección que le ofrece un rendimiento de secado excepcional y un cuidado especial de sus prendas.

El secador cumple con la norma UL 2158 Secadores de ropa

Uno de las características fundamentales de su secador es el bajo consumo de energía.

Una filosofía fácil en el manejo, una gran variedad de programas de secado y una sensación de solidez, hacen de este secador un asistente sumamente útil en su hogar.

El secador Bosch presenta las siguientes características estándar:

- un sistema de secado de alto rendimiento
- Tambor de acero inoxidable con una capacidad de 11 lbs (5 kg)
- Seguro de puerta con función de paro automático del tambor
- funcionamiento excepcionalmente sereno
- ciclos automáticos controlados por sensor
- Ciclos temporizados de hasta 60 minutos
- Función pligues

Todo secador que deja nuestra planta, ha aprobado un control de rendimiento realístico y está en perfectas condiciones de funcionamiento. Si tiene cualquier pregunta respecto de la instalación de nuestros secadores, nuestro grupo de servicio a clientes, gustosamente le responderá.

En nuestra página de web, encontrará más información referida a nuestros productos y su selección:

[www.boschappliances.com](http://www.boschappliances.com)

### Información

Rogamos leer y seguir estas instrucciones de funcionamiento e instalación conjuntamente con todas aquellas informaciones entregadas con nuestro secador.

## Definiciones

### PELIGRO


**PELIGRO** – Esto indica que el incumplimiento de esta advertencia puede ser causa de la muerte o de lesiones graves.

### ADVERTENCIA

**ADVERTENCIA** – Esto significa que el incumplimiento de esta advertencia puede ser causa de lesiones o daños de consideración.

### CUIDADO

**CUIDADO** – Esto significa que el incumplimiento de la advertencia puede ser causa de lesiones o daños menores.

 Este símbolo se utiliza para llamar la atención del usuario respecto de temas importantes.

# INSTRUCCIONES IMPORTANTES DE SEGURIDAD



## ADVERTENCIA



Para reducir el peligro de incendio, descargas eléctricas, lastimaduras de gravedad o muerte al emplear su secador, tome las siguientes precauciones:

1. Lea todas las instrucciones antes de utilizar el secador. Los secadores Bosch se entregan con instrucciones de manejo, cuidado e instalación.
2. No seque prendas que anteriormente hayan sido limpiadas, lavadas, remojadas, o se le hayan quitado las manchas con gasolina, limpiadores en seco, solventes, otros productos inflamables o explosivos de las cuales puedan desprenderse vapores que puedan encenderse o explotar.
3. No permita que los niños jueguen en o con el secador. Debe ejercerse una supervisión estricta cuando éstos se encuentran cerca del secador.
4. Antes de sacar el electrodoméstico de servicio, quite la puerta de acceso al compartimiento de secado.
5. No introduzca las manos en el electrodoméstico mientras el tambor está girando.
6. No instale o almacene este electrodoméstico a la intemperie.
7. No juegue con los controles.
8. No reparar o reemplazar ninguna parte del secador ni intentar cualquier tipo de servicio a menos que haya sido recomendado en las instrucciones de mantenimiento o en instrucciones de reparación para usuarios, que se hayan comprendido plenamente y para las que se disponga de habilidad.
9. No utilice suavizadores de textiles u otros productos antiestáticos, si éstos no son recomendados por el fabricante.
10. No seque con calor, artículos que contengan espuma de goma (puede denominarse espuma de latex) u otros materiales que se parezcan a los mencionados. Materiales de goma espuma pueden incendiarse por ignición espontánea.
11. Limpie el filtro para pelusas antes o después de cada carga.
12. Mantenga el área alrededor de la salida de aire despejada y las zonas adyacentes libres de pelusas, suciedad y polvo. Una salida obstruida puede impedir la circulación de aire.
13. El interior de la máquina y de la salida de aire debe limpiarse periódicamente por personal calificado.
14. Asegúrese siempre que el secador ha sido desconectado de la alimentación eléctrica, antes de intentar cualquier trabajo de mantenimiento. Desconecte el cable de alimentación, tomándolo del tomacorriente y no del cable.
15. Almacene todos los productos químicos para la ropa en un sitio seco, fresco y de acuerdo con las recomendaciones del fabricante y que además, no esté al alcance de los niños.
16. A fin de reducir el peligro de incendios, no ponga ropa, paños para la limpieza, estropajos o cosas similares en el secador, si contienen sustancias inflamables como aceites vegetales, aceite de cocina, aceites minerales o destilados de éstos, ceras, grasas, etc. en el secador. Estas prendas pueden contener sustancias inflamables aún, que pueden producir humo o incendiarse espontáneamente aún después de haberlas lavado.
17. No ubique prendas sucias con aceite de cocina en su secador. Prendas con este tipo de suciedad pueden contribuir a reacciones químicas que pueden causar un incendio.
18. No se siente sobre el secador.
19. A fin de evitar incendios, NO UTILICE cables de prolongación para conectar el secador a la alimentación de energía eléctrica.
20. El secador debe usarse únicamente para lo que fue diseñado.
21. Controle siempre los bolsillos y quite todos los objetos contenidos en éstos. Especialmente peligrosos son los cigarrillos y encendedores.
22. Reemplace cables y enchufes defectuosos.
23. No utilice el secador si se quitaron paneles o protecciones.

- 24. No utilice el secador si faltan piezas o están rotas.
- 25. No elimine la función de los dispositivos de seguridad.
- 26. No utilice conductos de material plástico o materiales flexibles no metálicos. Estos materiales pueden presentar peligros de incendios.
- 27. No haga funcionar el secador antes de asegurarse que fue instalado de acuerdo con las INSTRUCCIONES DE FUNCIONAMIENTO y que la instalación y puesta a tierra cumplen con todos los reglamentos locales y/u otras reglas y requerimientos de aplicación.
- 28. Fallos en la instalación, el mantenimiento y/o operación del secador respecto de la instrucciones del fabricante, pueden ser causa de lesiones o daños.
- 29. Para evitar daños en el piso y también en el crecimiento de moho, no permita que salpicaduras o derramamientos de agua se acumulen alrededor o debajo del secador.

**Notas:**

- A. Las INSTRUCCIONES IMPORTANTES DE SEGURIDAD y los LLAMADOS DE ATENCIÓN que se presentan en este manual no cubren todas las situaciones posibles que pueden tener lugar. Deben aplicarse el sentido común, precaución y cuidado al instalar, mantener o hacer funcionar el secador.

- B. Consultar siempre con el comerciante, distribuidor, agente de servicio o fabricante cualquier problema o bien condiciones que no se han comprendido completamente.
- C. Tenga en cuenta también las informaciones de seguridad en las INSTRUCCIONES DE INSTALACIÓN y las INSTRUCCIONES DE FUNCIONAMIENTO.

## INSTRUCCIONES PARA LA PUESTA A TIERRA

Este electrodoméstico debe conectarse a tierra. En caso de fallos en el funcionamiento o roturas, la conexión a tierra reduce el riesgo de descargas eléctricas, presentando una vía de baja resistencia por la que puede fluir la corriente.

### Para CANADA

Este electrodoméstico está provisto de un cable de conexión con un conductor de tierra y el tomacorriente con la toma de tierra correspondiente. El tomacorriente debe conectarse en un enchufe adecuado que esté de acuerdo con todos los reglamentos y ordenanzas locales.

ADVERTENCIA

La conexión inadecuada de la puesta a tierra de este equipo puede conducir a un riesgo elevado de descargas eléctricas.

Haga controlar la instalación por un electricista calificado si tiene dudas, a fin de determinar que el secador esté correctamente conectada a tierra.

No modifique el enchufe provisto con el electrodoméstico. En caso que no pueda conectarlo al tomacorrientes, haga colocar un tomacorrientes apropiado por un electricista calificado.

## CONSERVE ESTAS INSTRUCCIONES PARA CONSULTAS POSTERIORES.

En caso de un cambio de propietario, este manual debe entregarse conjuntamente con el secador.

# CONSERVE ESTAS INSTRUCCIONES

# INSTRUCCIONES PARA LA INSTALACIÓN

## Introducción

Lea estas instrucciones completamente y con cuidado. Esto va a evitar que pierda tiempo y esfuerzo, permitiendo lograr un funcionamiento óptimo del secador. Asegúrese de tener en cuenta todas las advertencias y precauciones.

Estas instrucciones para la instalación están destinadas para ser usadas por personal calificado. Adicionalmente a estas instrucciones, el secador debe instalarse de acuerdo con las reglamentaciones locales. En ausencia de éstas:

- en los **Estados Unidos**, el National Electric Code, ANSI/NFPA70 en su última edición y las reglas municipales y/o locales vigentes.
- En **Canadá**, el Canadian Electrical Code C22.1 en su última edición y las reglas municipales y/o locales vigentes.

## Información sobre eliminación de residuos

### Eliminación del embalaje

#### PELIGRO

Mantenga alejados a los niños tanto del cartón como de los demás componentes del embalaje. Existe peligro de asfixia con la lámina plástica y con los cartones plegados.

Ninguno de los materiales del embalaje es dañino para el medio ambiente y pueden reciclarse. Rogamos eliminarlos según las normas de protección del mismo.

Rogamos ponerse en contacto con su vendedor o la autoridad competente respecto de las disposiciones vigentes.

### Desecho de electrodomésticos viejos

#### PELIGRO

En los artefactos que se van a poner fuera de servicio, desconecte el enchufe principal, corte el cable de red y elimine el cable junto con el enchufe.

Para evitar que los niños al jugar se pongan en peligro al quedar atrapados, asegurarse de que el mecanismo de cierre de la puerta esté desactivado o desmonte la puerta.

¡Los electrodomésticos viejos no son basura! Pueden obtenerse materias primas valiosas a través de un reciclado que protege el medio ambiente.

Rogamos ponerse en contacto con su vendedor o la autoridad competente respecto de las disposiciones vigentes.

## Antes de instalar el secador

### Desembalaje del electrodoméstico

#### ADVERTENCIA

El secador es sumamente pesado. No levante el electrodoméstico personalmente. Tampoco debe levantárselo de partes protuberantes debido al riesgo de quebraduras.

#### CUIDADO

Quite el embalaje cuidadosamente, para evitar daños en las superficies.

Controle si el secador se ha dañado durante el transporte. No conecte un secador visiblemente dañado. En casos de duda, consulte con su vendedor.

### Volumen de entrega

#### En Estados Unidos

#### CUIDADO

El secador se provee sin el cable de alimentación. Éste debe conectarlo personal calificado.

#### CUIDADO

Una vez eliminado el embalaje, quite inmediatamente todos los objetos contenidos en el tambor.

El secador se entrega como unidad completa. Las instrucciones de funcionamiento se encuentran en el tambor.



## Emplazamiento



### ADVERTENCIA



No instale el secador:

- a la intemperie
- en ambientes donde gotea el agua,
- ceca de materiales inflamables,
- en ambientes con riesgo de congelamiento,
- en ambientes donde puede haber gas u otros combustibles,
- en armarios con puertas que se puedan trabar o en nichos.

El ambiente de emplazamiento debe poseer una buena ventilación, de otro modo el secador trabajará con rendimiento reducido.

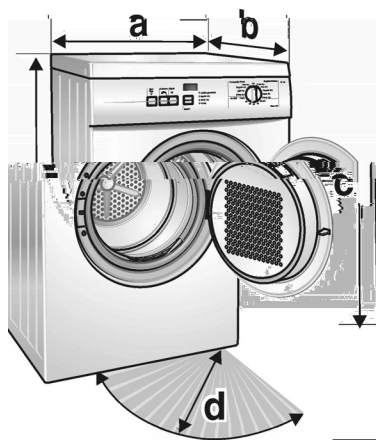
No opere el secador a temperaturas superiores a los 104°F (40°C) o debajo de 41°F (5°C).

Las temperaturas bajas pueden afectar la secuencia el programa automático y pueden prolongar los tiempos del secado.

La superficie donde se vaya a instalar el secador deben estar limpias, parejas y firmes. ¡No instale el secador sobre alfombras! Compense las irregularidades en el piso mediante los pies ajustables en altura.

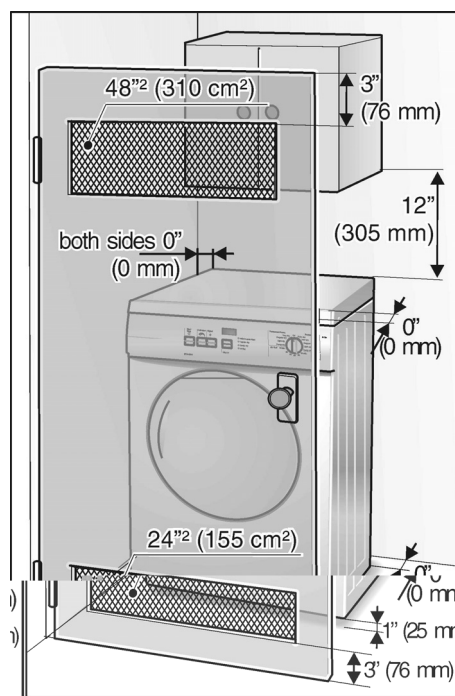
Instale el secador, nivelándolo lateral y frontalmente. Utilice un nivel de burbuja. ¡Nunca desenrosque totalmente los pies ajustables!

El tamaño del área de instalación depende de las medidas del secador. ¡Asegúrese que exista espacio suficiente para el área de giro de la puerta!



	Medidas	Peso
a	23,6" (60 cm)	100 lbs (45 kg)
b	23,6" (59 cm)	
c	33,5" (85 cm)	con embalaje
d	15,7" (40 cm)/ángulo	118 lbs (53 kg)

Si instala el secador en un baño, observe las distancias mínimas de acuerdo a la figura siguiente:



Distancias de instalación mínimas

	Retrete
Ambos lados	0" (0 mm)
Arriba	12" (305 mm)
Detrás	0" (0 mm)
Parte anterior	0" (0 mm)
Parte posterior	1" (25 mm)

### Información importante respecto de las distancias mínimas:

(Ver página 60):

- Distancias superiores a las indicadas, reducen la probabilidad que se produzca moho detrás del secador.
- Distancias adicionales reducen la transmisión del ruido.
- Distancias adicionales facilitan la instalación y el mantenimiento.
- Si se instala el secador en ambientes reducidos, las puertas del ambiente deberán estar equipadas con ventilaciones de dimensiones mínimas establecidas.

### Juego de interconexión lavadora-secador

Puede colocarse el secador encima de una lavadora de dimensiones iguales a fin de ahorrar espacio.

Utilice el juego de interconexión lavadora-secador adecuado, que le proveerá su servicio a clientes o vendedor local.

- WTZ11340UC  
Juego de interconexión lavadora-secador (estándar)
- WTZ11350UC  
Juego de interconexión lavadora-secador con bandeja de extracción



### ADVERTENCIA



Por razones de seguridad, la instalación del secador, debe realizarla un especialista. Utilice siempre el juego de instalación para asegurar el secador con la lavadora – hay peligro de lesiones.

## Conexión eléctrica

**ADVERTENCIA**

El cable de alimentación debe instalarlo únicamente personal calificado.

Conectar a una rama del circuito individual.

No utilice adaptadores.

No utilice cables prolongadores.

No quite la clavija de puesta a tierra.

### Para CANADA

Su secador viene equipado con un cable de alimentación de 4 conductores, según CSA en Canadá.

El secador Bosch necesita un tomacorrientes de 4 conductores.



Cuando instale el enchufe para el cable de alimentación, asegúrese que el cable de alimentación sea accesible cuando el secador está instalado.

El cable de conexión debe cambiarlo personal especializado. Utilice un cable de alimentación de 4 conductores (consulte abajo por la conexión en los Estados Unidos).

### En Estados Unidos

Su secador se provee sin el cable de alimentación. El cable a conectar debe presentar las siguientes características:

- Aprobación UL en USA
- 240 volts de valor eficaz (mínimo)
- Especificado para 30A
- Tipo SRDT
- Cinco pie de longitud (mínimo)
- Terminales cerrados o bien tipo horquilla con los extremos doblados hacia arriba

### Conexión a través de un cable de 4 conductores

**ADVERTENCIA**

El cable de alimentación debe conectarlo un electricista registrado únicamente. Utilice únicamente cables UL de 30 Amps con descarga de tracción. Tenga en cuenta las instrucciones del fabricante.

No conecte el cable de alimentación a un enchufe bajo tensión, antes de conectarlo a los terminales del electrodoméstico y que esté cerrada la caja de conexión o derivación según se describe abajo.

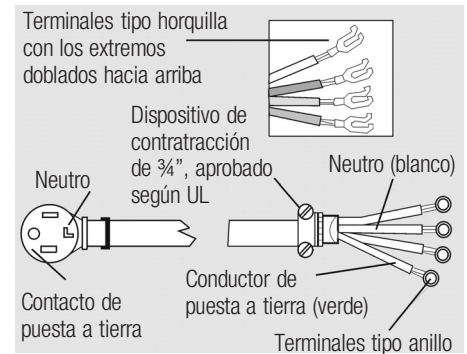
No utilice cables de alimentación usados. El cable deberá estar provisto de terminales cerrados o bien doblados hacia arriba.

No tuerza los cable en un ángulo cerrado en las conexiones.

Debe utilizarse un cable de 4 conductores, cuando se instala el electrodoméstico en una casilla rodante o donde las reglamentaciones locales no permiten una conexión a tierra a través del conductor neutro.

### Nota:

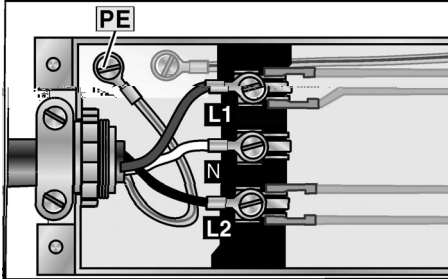
El cable de cuatro conductores debe poseer cuatro conductores de cobre AWG n° 10, terminando en un tomacorrientes tipo NEMA 14-30R. El cuarto conductor (conductor de puesta a tierra) debe estar identificado a través de una aislamiento verde, mientras que el neutro debe ser blanco.



Para conectar el cable de alimentación:

1. Quite los tornillos de la tapa de la caja de conexión ubicada en la parte superior trasera del secador.
2. Afloje o quite los dos tornillos que se encuentran en el dispositivo de contracción, quitándolo del cable de alimentación de 4 conductores. El dispositivo de contracción se compone de dos partes idénticas.
3. Introduzca los acoplamientos largos de ambas secciones en los orificios que se encuentran sobre la parte lateral de la caja de conexiones, sujetado por el dispositivo de acoplamiento dentro de la caja. Los acoplamientos cortos de ambas secciones y los tornillos deben permanecer ubicados del lado externo de la caja de conexiones.

- Introduzca el cable de alimentación de 4 conductores a través de las dos secciones del dispositivo de contracción, volviendo a colocar los tornillos. No los ajuste completamente, hasta tanto no se haya concluido con la conexión.



- Conecte el conductor de puesta a tierra (verde) en el orificio correspondiente, marcado en la figura con **PE**. Ajuste el tornillo hasta que el conductor esté asegurado.
- Conecte el conductor neutro del cable de alimentación (blanco) en el terminal correspondiente (marcado con una N). Ajuste el tornillo hasta que el conductor esté asegurado.
- Conecte el cable correspondiente a una de las fases (negro) a uno de los terminales de fase (marcado con L2). Ajuste el tornillo hasta que el conductor esté asegurado.
- Conecte el conductor perteneciente a una de las fases (rojo) al otro terminal de fase (marcado con L1). Ajuste el tornillo hasta que el conductor esté asegurado.
- Ajuste los tornillos del dispositivo de contracción de modo que el cable de conexión no pueda moverse.

- Vuelva a colocar la tapa de la caja de conexión, asegurándola con los cuatro tornillos quitados anteriormente.

El electrodoméstico está ahora listo para conectarlo al enchufe de 4 polos de la alimentación.

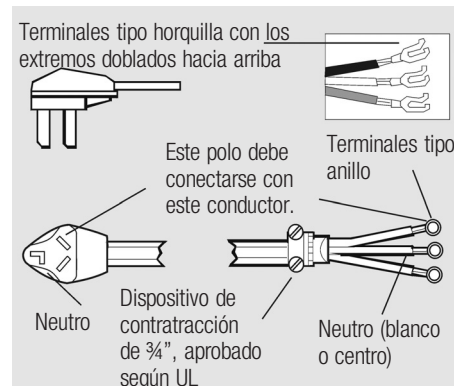
### Conexión mediante un cable de alimentación de tres conductores

Si su tomacorriente es del tipo de 3 conductores como el que se muestra abajo, deberá conseguir un cable de alimentación para el secador, que también sea de 3 conductores. Estos cables, los conseguirá normalmente en el comercio del ramo, casas de artículos eléctricos, o casas de artículos domésticos. El cable deberá tener terminales cerrados, o bien terminales abiertos con los extremos doblados hacia arriba.



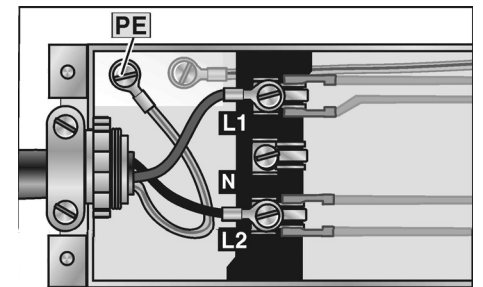
#### Nota:

En el caso de un cable de tres conductores, éstos deben ser de cobre según AWG n° 10, mientras que el tomacorriente tripolar debe ser del tipo NEMA 10-30R.



Para conectar el cable de alimentación:

- Quite los tornillos de la tapa de la caja de conexión ubicada en la parte superior trasera del secador.
- Afloje o quite los dos tornillos del dispositivo de contracción, quitando luego a éste del cable de alimentación de tres conductores. El dispositivo de contracción se compone de dos partes idénticas.
- Introduzca los acoplamientos largos de ambas secciones en los orificios que se encuentran sobre la parte lateral de la caja de conexiones, sujetado por el dispositivo de acoplamiento dentro de la caja. Los acoplamientos cortos de ambas secciones y los tornillos deben permanecer ubicados del lado externo de la caja de conexiones.
- Haga pasar el cable de 3 conductores a través de ambas partes del dispositivo de contracción, volviendo a colocar luego los dos tornillos de éste último. No los ajuste completamente hasta tanto complete la conexión eléctrica.



- Conecte el conductor de puesta a tierra (verde) en el orificio correspondiente, marcado en la figura con **PE**. Ajuste el tornillo hasta que el conductor esté asegurado.

6. Conecte los dos conductores de fase restantes a los terminales de fase (el blanco a la L2 y el rojo a la L1). Ajuste ahora los tornillos, de modo que los conductores queden perfectamente asegurados.
7. Ajuste los tornillos del dispositivo de contracción de modo que el cable de conexión no pueda moverse.
8. Vuelva a colocar la tapa de la caja de conexión, asegurándola con los cuatro tornillos quitados anteriormente.

El secador está ahora preparado para ser conectado al tomacorriente de tripolar, con la tensión adecuada.

#### Procedimientos de puesta a tierra adicionales

- Algunas reglamentaciones locales pueden exigir una conexión a tierra adicional. En este caso deben adquirirse por separado, los accesorios requeridos, como el cable de conexión, abrazaderas y tornillos.
- Nunca conecte el electrodoméstico a tuberías de agua de material plástico, tuberías de gas o de agua.

## Instrucciones para la conexión a tierra

Este electrodoméstico debe conectarse a tierra. En caso de fallos en el funcionamiento o roturas, la conexión a tierra reduce el riesgo de descargas eléctricas, presentando una vía de baja resistencia por la que puede fluir la corriente.

#### Para CANADA

Este electrodoméstico está provisto de un cable de conexión con un conductor de tierra y el tomacorriente con la toma de tierra correspondiente. El tomacorriente debe conectarse en un enchufe adecuado que esté de acuerdo con todos los reglamentos y ordenanzas locales.

**ADVERTENCIA**

Una conexión inadecuada del conductor de puesta a tierra del equipo puede causar descargas eléctricas. Haga controlar el electrodoméstico por un electricista calificado o del servicio técnico si tiene dudas respecto de la correcta conexión a tierra de su secador.

## Conexión del tubo de aire de salida

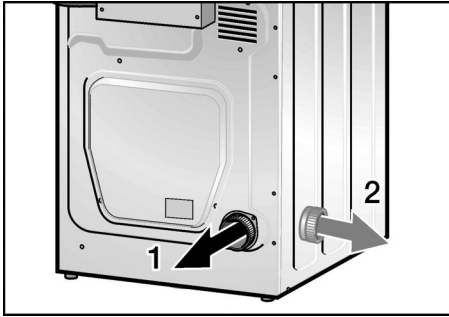
**ADVERTENCIA**

1. A fin de reducir el peligro de incendio, el aire de salida de este electrodoméstico DEBE CONDUCTIRSE AL EXTERIOR.
2. A fin de reducir el peligro de incendio, no utilice las tuberías más largas que lo recomendado.
3. A fin de reducir el peligro de incendio, utilice únicamente tubos rígidos o flexibles de metal.
4. NO utilice un tubo de un diámetro inferior a 4 pulgadas.
5. Pase el cable de 3 conductores a través de la abrazadera de descarga de tracción UL.
6. NO conduzca el aire de salida al interior de una chimenea, conducto de ventilación, altillo u otra tubería utilizada para fines de ventilación.
7. No instale un tubo flexible empotrado en la pared, un cielorraso o piso.
8. NO retuerza ni doble el tubo.
9. Controle y limpie la tubería regularmente. Como mínimo una vez al año.
10. El tubo de ventilación debe terminar de modo que no pueda penetrar el viento o animales.

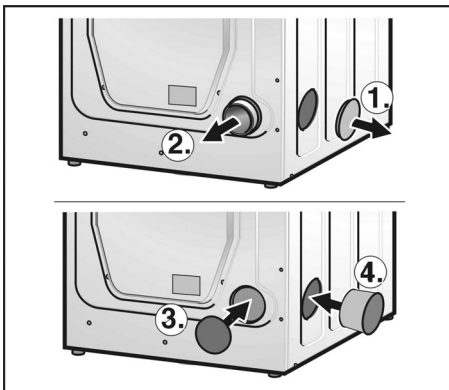
A fin de prevenir la formación de humedad y de hilachas en el interior y para mantener un máximo de eficiencia en el secado, este secador debe poseer una ventilación hacia el exterior.

- i** Ubique el tubo de aire de ventilación de modo que no se generen contrapresiones (p. ej debido al viento) en su salida.

Hay salidas para el aire de escape en el panel posterior del secador (1) y en la pared lateral izquierda (2).

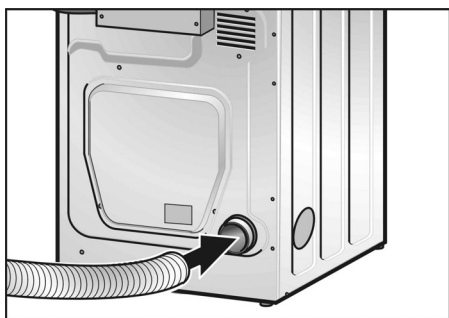


Seleccione la salida de aire más adecuada, una vez instalado el secador.



Cambie el tubo de escape a la posición más adecuada y clausure la otra salida enroscando la tapa correspondiente en sentido horario.

Coloque el extremo del tubo de aire de ventilación sin doblarlo. Utilice abrazaderas para tubo a fin de asegurar el tubo de aire. El tubo de ventilación siempre debe montarse en posición recta vertical u horizontal, sin que se produzcan inflexiones pronunciadas.



## Tubería

Para asegurar un rendimiento máximo, la tubería del secador debe ser tan corta como posible y con la menor cantidad de codos. Su secador trabajará en las mejores condiciones, si la tubería presenta la menor cantidad de estorbos para la circulación posible. Tuberías más largas que las recomendadas, prolongan el tiempo de secado, causan la acumulación de pelusas y acortan la vida útil del secador.

Independientemente de conectar la tubería a un sistema existente o nuevo, asegure que esté libre de pelusas.

En la tabla siguiente se indican las longitudes máximas permitidas tanto para tuberías rígidas como para aquellas flexibles.

Salida para el aire de escape en el panel posterior del secador:

Número de codos de 90°	Tubo rígido	Tubo flexible
0	30 ft. (914 cm)	20 ft. (610 cm)
1	22 ft. (671 cm)	15 ft. (457 cm)
2	14 ft. (427 cm)	9 ft. (274 cm)
3	6 ft. (183 cm)	4 ft. (122 cm)

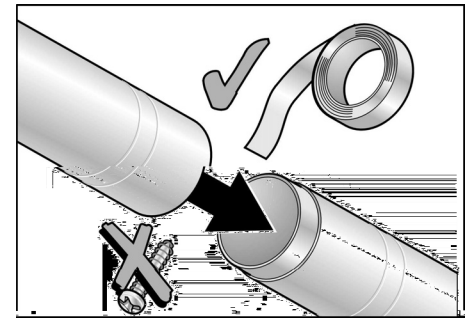
Salida para el aire de escape en el la pared lateral izquierda del secador:

Número de codos de 90°	Tubo rígido	Tubo flexible
0	22 ft. (671 cm)	15 ft. (457 cm)
1	14 ft. (427 cm)	9 ft. (274 cm)
2	6 ft. (183 cm)	4 ft. (122 cm)

Debe utilizarse un tubo de cuatro pulgadas (aprox. 100 mm). Utilice tubos de metal rígidos o bien flexibles.

NO utilice tubos de material plástico o materiales no metálicos con este secador.

NO utilice tornillos o sujetadores en el ensamble de la tubería, que se prolonguen hacia el interior de la misma. Funcionarán como puntos de concentración de pelusas. Las juntas de los tubos deberán asegurarse con una cinta adecuada.

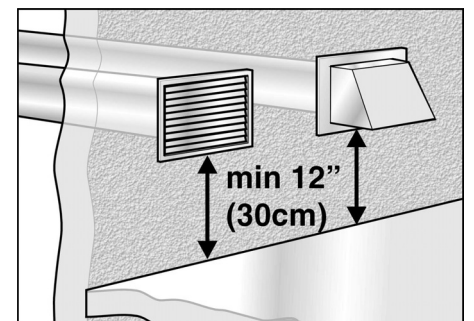


Todas las juntas de los tubos deben sellarse para que no presenten pérdidas. El extremo del tubo de menor diámetro, deberá señalar en el sentido de circulación del aire.

## Sombrerete de ventilación

El tubo de ventilación debe terminar en un sombrerete de ventilación aprobado con laminillas de cierre amortiguado. NO utilice un sombrerete con seguros magnéticos.

Para evitar restricciones en la ventilación, la salida debe presentar un distancia mínima de 12 pulgadas (30 cm) sobre el suelo u otra superficie de obstrucción.



## La instalación paso a paso

1. Quite el secador de su embalaje.
2. Quite todos los objetos del tambor.
3. Controle si el secador presenta daños visibles.
4. Ubique el secador cerca del sitio de emplazamiento.
5. Si hace falta, haga conectar el cable de alimentación por un electricista (ver página 58).

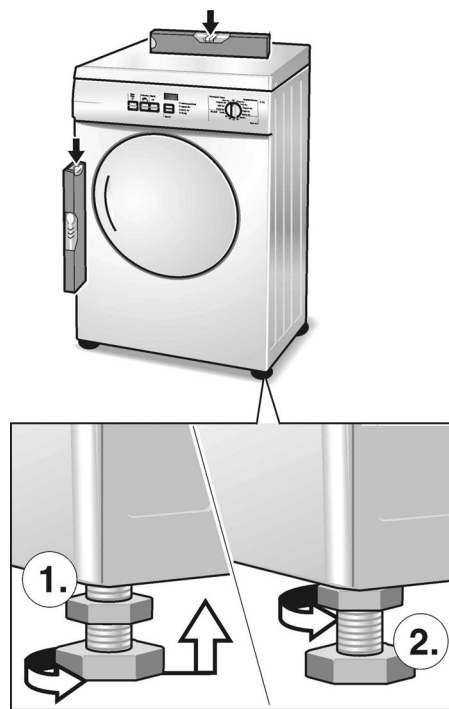
**i** Si el espacio es muy reducido, se recomienda conectar el tubo de ventilación al secador antes de ubicar a éste en su sitio.

6. Conecte el tubo de ventilación a la salida correspondiente del secador. Utilice abrazaderas para tubo a fin de asegurar el tubo de aire.
7. Ubique el secador en su sitio de emplazamiento definitivo.

### **⚠ CUIDADO ⚠**

No arrastre el secador por el suelo, si los pies ajustables fueron extendidos. En este caso se dañarían tanto los pies ajustables, como la parte inferior del secador.

8. Posicione y nivele luego el secador.



El secador debe nivelarse con todos los pies ajustables firmemente asentados en el piso. No debe tambalearse. Si el secador no está nivelado o si se tambalea, deben regularse los pies ajustables. Los pies deben ajustarse hasta que el secador no se bambolea y está nivelado tanto de un lado respecto del otro, como de atrás respecto de adelante.

9. Conecte el tomacorriente en el enchufe correspondiente.

## Lista a controlar antes de usar el secador

1. Controle que los pasos 1 a 9 hayan sido efectuados correctamente.
2. Asegure que el secador está conectado a la alimentación.
3. Lea las instrucciones de funcionamiento, para enterarse como funciona su secador.
4. Efectúe un control del electrodoméstico:
  - Controle que el tambor esté vacío.
  - Cierre la puerta del secador.
  - Conmute el secador a «Extra Dry» y enciéndalo.
  - Apague («Off») el secador después de transcurridos 3 a 5 minutos y ábralo.
5. Si el interior del secador está tibio, significa que está correctamente conectado.
6. Si el secador no funciona, conmutelo a «Off». Consulte en la localización de fallos (ver página 73) de las INSTRUCCIONES DE FUNCIONAMIENTO y determine el fallo.

## Preparar el secador para el transporte, paso a paso

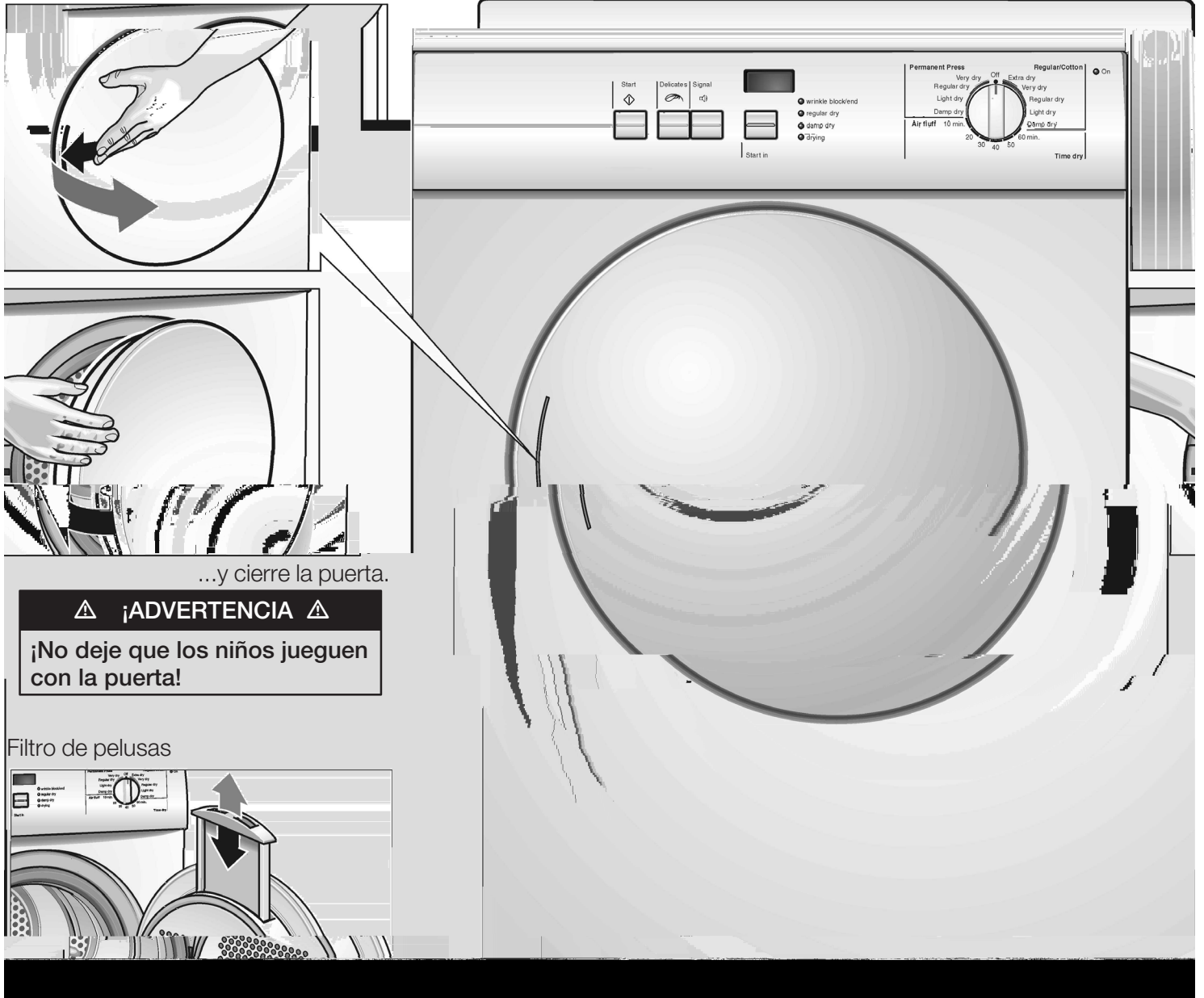
1. Gire el selector de programas a la posición «Off».
2. Desconecte el enchufe de alimentación.
3. Desconecte el tubo de ventilación de la salida correspondiente en el secador.
4. Coloque todos los accesorios en el tambor.
5. Cierre la puerta y asegúrela con cinta adhesiva.
6. Atornille los pies ajustables en altura hasta que queden dentro de la carcasa para evitar que se dañen durante el transporte.

# INSTRUCCIONES DE FUNCIONAMIENTO

## Su nuevo secador

Su nuevo secador posee un conmutador a presión.

Abra la puerta mediante una presión leve...

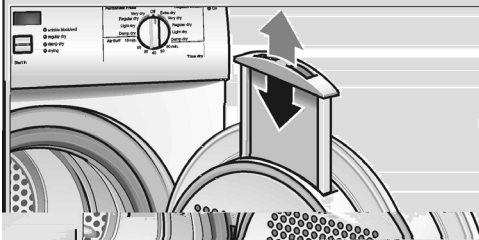


...y cierre la puerta.

**¡ADVERTENCIA!**

¡No deje que los niños jueguen con la puerta!

Filtro de pelusas



# Panel de manejo

**Pulsador de arranque**  
Inicia el proceso de secado.

**Botones para seleccionar las opciones**  
(adicionales a los programas, si así se lo requiere).  
Ver página 68.

**Delicates (Ropa fina)**

Accione este botón cuando se trata de ropa sensible a la temperatura (p.ej. fibra acrílicas). La temperatura del proceso de secado se reduce y el tiempo se prolonga correspondientemente.

**Señal**

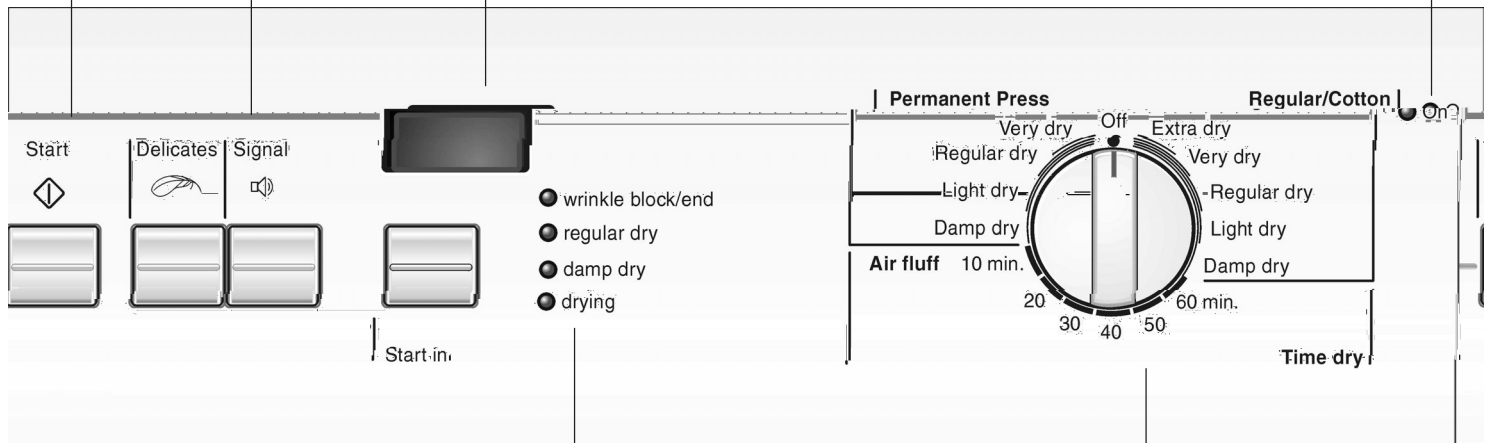
Una señal acústica le comunican el comienzo y la conclusión del programa de secado.

**Display**

Visualiza el tiempo para el arranque (función de temporización programable).

**Luz indicadora (LED)**

Se enciende cuando el secador está encendido.



**Luces indicadoras**  
Indica el estado vigente del proceso de secado.

**Selector de programa**  
Selecciona el programa.  
Ver página 68.  
Puede girárselo en ambas direcciones.

Para apagar el secador, conmutar el selector de programa a «Off».



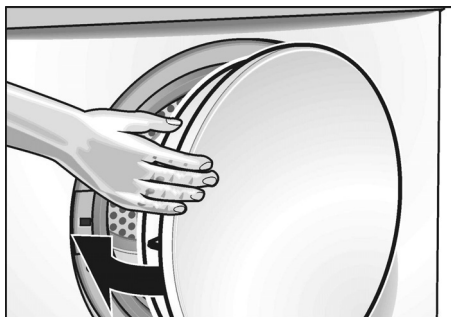
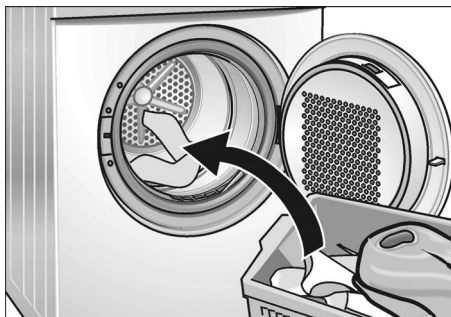
# Resumen de instrucciones

**ADVERTENCIA**

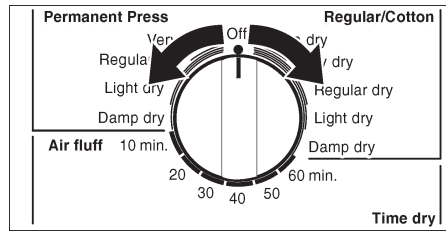
Antes de usar su secador lea y tenga en cuenta todas las instrucciones de instalación y funcionamiento.

## Preparación del secador

**i** Controle el filtro de pelusas. Debe limpiárselo antes y después de cada proceso de secado.



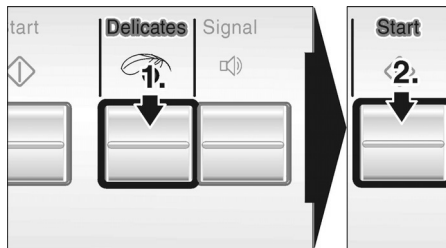
## Selección de un programa



## Ajuste del retraso para el arranque (si es necesario)

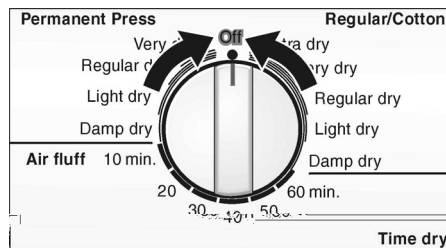


## Seleccionar una opción...

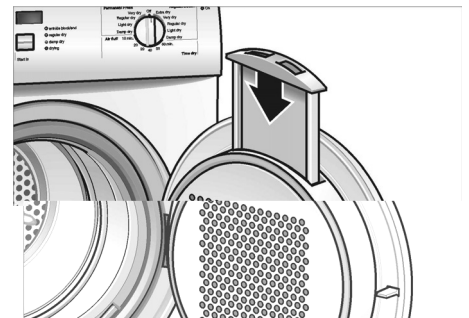
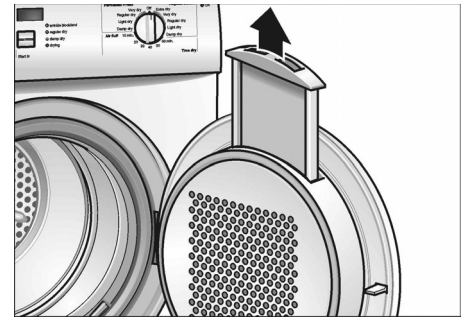


...a poner en funcionamiento el secador.

## Apagar el secador



## Limpiar el filtro de pelusas



# Informaciones para su seguridad

## PELIGRO

Tenga siempre en cuenta las INSTRUCCIONES DE SEGURIDAD IMPORTANTES (Ver página 54).

## PELIGRO

### **¡PELIGRO DE EXPLOSIONES!**

Mantenga alejadas del secador materiales inflamables y vapores como la gasolina.

Nunca seque prendas que estuvieron en contacto alguna vez con materiales inflamables (aún después de lavarlas).

Nunca seque objetos que hayan estado en contacto con aceites de ningún tipo (incluyendo aceite para cocinar).

Prendas que contengan espumas, goma o plástico, deben secarse sobre la soga o bien con un ciclo de suavizado con aire.

No permita que se permanezcan objetos que contengan sustancias inflamables como encendedores en la ropa durante el secado.

El incumplimiento de estas instrucciones puede ser causa de explosiones o incendios.

**¡Peligro de muerte o lesiones!**

## Uso previsto

Utilice el secador únicamente a nivel doméstico y con cantidades de ropa domiciliarias.

Debe usarse este secador únicamente con textiles lavados con agua.

## Antes de encender su secador

Instale el secador de acuerdo con las instrucciones de instalación (ver página 56).

No utilice un secador, si éste presenta daños visibles. En casos de duda, consulte con su vendedor.

## Uso del secador

No deje que niños jueguen sin vigilancia en las cercanías del secador.

Mantenga alejados del secador a los animales caseros. Antes de cerrar la puerta, controle el contenido del tambor.

Quite todos los objetos de los bolsillos.

Los encendedores para cigarrillos son especialmente peligrosos.

### **¡Peligro de explosión!**

Apague el secador cuando termina el programa.

## Protección del secador

No se suba al secador.

No se apoye ni siente sobre la puerta.

### **¡Existe peligro de vuelco para el secador!**

No use ni almacene solventes, potenciadores para detergentes o quitamanchas en las cercanías del secador.

Puede dañarse el secador.

No levante el secador, sujetándolo de partes sobresalientes del mismo (p. ej. la puerta).

### **¡Peligro de quebraduras y lesiones!**

# Protección del medio ambiente

## Consejos para la racionalización de energía

Bosch recomienda lo siguiente, para racionalizar energía, dinero y tiempo:

- **¡Escorra la ropa prolijamente!**  
Antes del secado, centrifugue la ropa prolijamente en la máquina de lavar. ¡Utilice la velocidad de centrifugado máxima admisible para el tipo de ropa en cuestión!  
Velocidades de centrifugado elevadas reducen el tiempo de secado y el consumo de energía.
- **¡Utilice la carga óptima!**  
Use la carga máxima recomendada. Sin embargo no debe excedérsela.
- **¡Limpie el filtro!**  
Limpie el filtro antes y después de cada proceso de secado. (ver página 72).
- **¡Ventile el ambiente de emplazamiento!**  
Provea un suministro adecuado de aire fresco durante el proceso de secado.
- **¡No seque materiales inadecuados!**  
No seque prendas engomadas o impermeables.
- **¡Limpie e inspeccione el sistema de salida de aire regularmente!**  
Obstrucciones en este sistema prolongan el tiempo de secado.

## Antes de usar el secador por primera vez

Antes de usar su secador por primera vez:

1. Lea este manual de instrucciones cuidadosamente.
2. Controle que el voltaje de alimentación esté de acuerdo con aquél indicado en la chapa de características. Ver la figura en página 74.
3. Quite todos los objetos del tambor.
4. Controle si el secador presenta daños visibles. Si encontrara alguno, póngase en contacto con su vendedor.
5. Friegue el interior del tambor con un paño húmedo.
6. Efectúe un control del electrodoméstico. Ver página 62.
7. Si el secador no funciona, conmutelo a «Off». Consulte la sección de localización de fallos menores (página 73) en el manual de instrucciones y determine la causa.

## Desconexión temporal del secador

Haga funcionar su secador únicamente cuando está en su casa. Si se va de vacaciones o no utiliza el secador por un tiempo prolongado, usted debe:

1. Corte el conmutador de alimentación.
2. Desenchufar el secador.
3. Limpie el filtro de pelusas.

## Ropa

### Identificación de prendas

Observe el símbolo que determina el tratamiento en las etiquetas de las prendas. Éstas proveen información importante respecto de eventuales limitaciones concernientes al proceso de secado.

No seque textiles de los siguientes tipos:

- Impermeables (p. ej engomadas)
- Ropa fina (seda, cortinas sintéticas)

**i** Utilice le programa «Air fluff» para secar materiales de espuma de goma o similares.

### Consejos para el secado

En principio, lo siguiente encuentra aplicación en todos los programas:

- Para lograr un secado uniforme, seleccione la ropa de acuerdo al tipo de prenda y al programa a utilizar.
- Cierre cierres, ganchos y botones. Sujete cintas sueltas, delantales, cordeles, etc.
- No seque demasiado prendas de fácil cuidado. ¡Existe el peligro que se arruguen! Deje que estas prendas se sequen al aire libre.
- No planche la ropa inmediatamente después de secarla. Deje la ropa apilada por un momento. De esta manera se distribuye de modo parejo la humedad.
- Trabajos de punto (p. ej. camisas, prendas de jersey) muchas veces encogen cuando se las seca por primera vez. No utilice el programa «Very dry/Extra dry» (muy seco/extra seco).

# Selección del programa

Para un secado óptimo, su secador ofrece diversos grupos de programas y opciones adicionales.

Seleccione el programa de secado necesario de la tabla de acuerdo con los ejemplos (ver página 69).

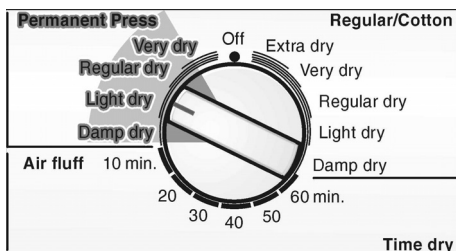
## Programas automáticos

Hay diversos programas automáticos para los diferentes tipos de textiles. (Regular/Cotton (Normal/algodón) o Permanent press (estampados)).

### Regular/Cotton (Normal/algodón)

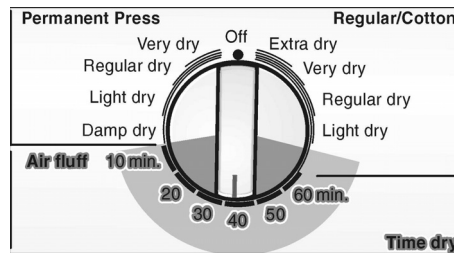


### Permanent Press (Estampados)



El avance de los programas automáticos se controla a través de sensores. La duración de los programas depende del grado de humedad medido en la ropa y del grado de humedad seleccionado (p. ej. húmedo, seco, o extra seco)

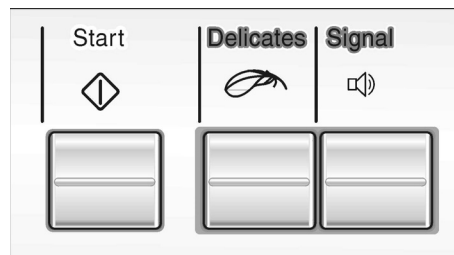
## Programas temporizados



Los programas de tiempo tienen una duración específica (20, 30, 40, 50 o 60 minutos).

En la etapa de «Air fluff» (suavizado a aire), el secador funciona por 10 minutos con aire del medio ambiente y sin suministro de calor.

## Opciones



### Delicates (Ropa fina)

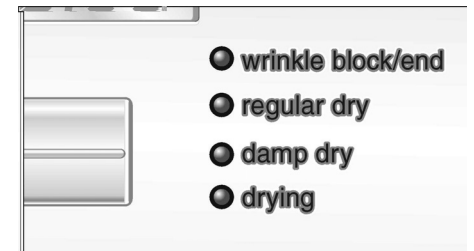
Presione el botón **Delicates** (ropa fina) para tratar prendas sensibles a la temperatura. Tenga en cuenta las informaciones de cuidado o los símbolos sobre las prendas. Se reduce la temperatura y se prolonga el tiempo que dura el proceso de secado.

### Signal (Señal)

Su secador le señala el comienzo y la finalización del programa de secado si está accionado el pulsador de **Signal**.

## Indicador de estado del programa

El secador utiliza un sistema de seguimiento para todos los programas, excepto los programas de tiempo. Un sensor de humedad controla permanentemente el grado de humedad de la ropa. El secado concluye inmediatamente, en cuanto se logra el grado de humedad ajustado.



El estado actual de secado y el nivel logrado se visualizan a través de un indicador luminoso (drying (secado), damp dry (húmedo), regular dry (secado medio), wrinkle block/end (antiarruga / fin)).

## Función de tiempo programado

Puede programarse un retraso para el comienzo del proceso de secado de hasta 19 horas. Este tiempo puede ajustarse en pasos de una hora.



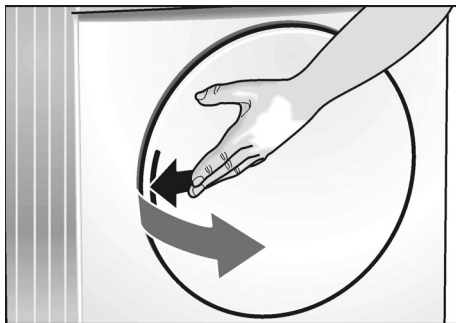
Ver «Programar el temporizador» en la página 71.

# Tabla de selección de programas

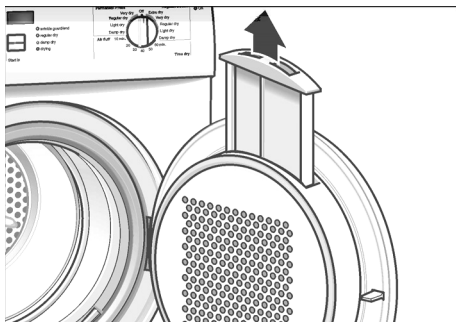
<b>Programas automáticos</b>		
Para algodón y ropa de color hecha de algodón o lino. Presione «Delicates» (ropa fina) para ropa sensible a altas temperaturas.		<b>«Regular/Cotton»</b> Programa automático
Sábanas, manteles y toallas	<b>Para ropa que,</b> debe plancharse	Damp dry
Sábanas, manteles y toallas, camisas, camisas deportivas, ropa de trabajo		
Camisas, camisas deportivas, trajes, pantalones, ropa de trabajo e interior		
Toallas de rizo, repasadores, y toallas de mano, sábanas, ropa interior, soquetes de algodón	que no debe plancharse	Regular dry
Toallas de rizo, repasadores, y toallas de mano, sábanas, ropa interior, soquetes de algodón	que no debe plancharse gruesos multicapa	Very dry
Salidas de baño de rizo y sábanas de rizo,	particularmente gruesas o multicapa	Extra dry
Ropa de fácil cuidado (sin centrifugar) de fibra sintética o mezcla, algodón con poliéster. Presione el botón «Delicates» para prendas extremadamente sensibles a altas temperaturas.		<b>«Permanent Press» (Estampados)</b> Programa automático
	<b>Para ropa que,</b>	
Pantalones, vestidos, faldas, camisas	que debe plancharse	Damp dry
Pantalones, vestidos, faldas y camisas, blusas, vaqueros, ropa deportiva con un contenido considerable de fibra sintética	que no necesita planchado o solo planchado ligero	Ligeramente seco
Camisas, blusas, ropa deportiva	que no debe plancharse	Regular dry
Sábanas y manteles de lino, colchas, frazadas	que no debe plancharse gruesos multicapa	Very dry
<b>Programas temporizados</b>		<b>«Tiempo de secado»</b>
Prendas centrifugadas con bajo contenido de humedad, prendas pequeñas como toallas de baño, ropa de baño, repasadores. Para el caso de una carga mínima de 0.22 lbs a 0.44 lbs (0.1 kg a 0.2 kg) (esto es una toalla pequeña) debe seleccionarse un programa de secado temporizado Presione el botón «Delicates» (ropa fina) para tratar prendas sensibles a la temperatura. – Para algodón y ropa de color hecha de algodón o lino. – Textiles sensibles a altas temperaturas.		20, 30, 40, 50, 60 min. 20, 30, 40, 50, 60 min.
Refrescado o ventilación de prendas con poco uso y secado de textiles muy delicados. Para todos los tipos de prendas incluyendo goma espuma (p. ej. almohadas, animales de peluche), plástico (p. ej. cortinas de baño, manteles), goma, nylon puro, polipropileno.		Air fluff (suavizar a aire)

# Funcionamiento

## Uso del secador

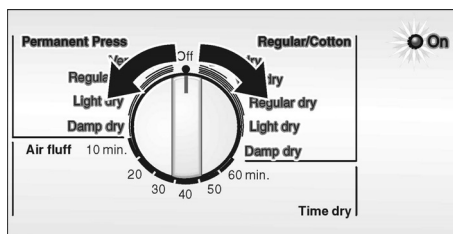


1. Abra la puerta.



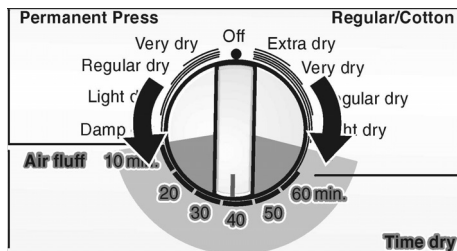
2. Controle el filtro.

El filtro debe limpiarse antes y después de cada proceso de secado. Un filtro limpio reduce el tiempo de secado y ahorra energía.

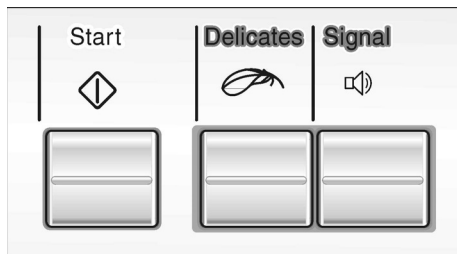


3. a) Gire el selector de programas al programa deseado. Seleccione el programa que corresponda a la ropa colocada en el secador de la tabla correspondiente (ver página 69).

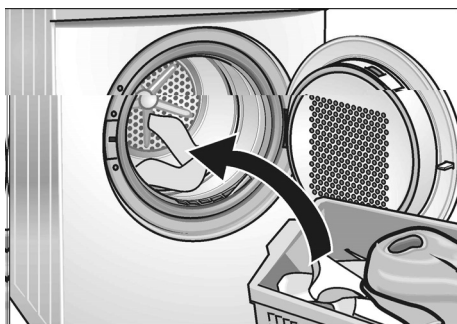
o



b) Gire el selector de programas a «Time dry/...min.».



4. Si hace falta, seleccione «Option», presionando el botón. Las «Opciones» se explican en la página 68.



5. Coloque la ropa en el tambor vacío. Coloque cada prenda por separado en el interior de la máquina.

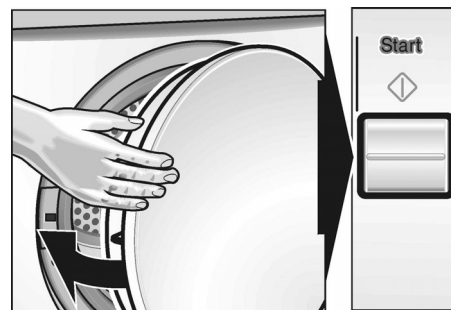
Para un resultado óptimo, debe separarse la ropa en función de su tipo y el grado de humedad residual deseado. Para más información, consulte la página 67.

i Tenga en cuenta los símbolos para el secado de la ropa, colocados por el fabricante.

Asegúrese que haya solamente ropa en el tambor. Controle que todas las prendas estén completamente dentro del tambor.

6. Cierre la puerta.

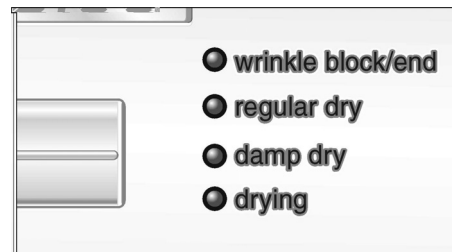
i Si la puerta no fue cerrada correctamente, el secador no arrancará.



7. Presione el botón **Start**. Se enciende la luz indicadora **On**.

i El programa comienza con una señal acústica (si así fue ajustado).

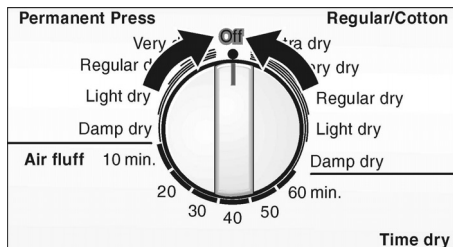
Si se ha seleccionado un programa estándar, se enciende la luz indicadora, visualizando el progreso del programa.



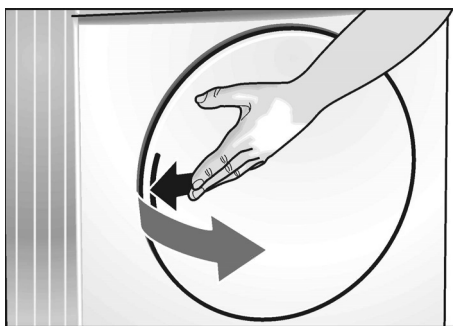
i Al finalizar el programa, suena una señal acústica (si así estuviere ajustado) y se enciende el LED «wrinkle block/end» (antiplegues/fin).

**i** **Función antipliegues**

Una vez que el proceso de secado ha finalizado (el programa o el programa de tiempo han concluido), el tambor gira en intervalos específicos durante 1 hora. Esto evita que la ropa se arrugue. La ropa permanece floja y mullida hasta que se la retira del secador. Debe quitarse la ropa antes que este tiempo finalice.



8. Gire el selector de programas a la posición «Off». La luz indicadora se apaga.



9. Abra la puerta.  
10. Saque la ropa del secador.  
11. Limpie el filtro.  
El filtro debe limpiarse después de cada proceso de secado. Un filtro limpio reduce el tiempo de secado y ahorra energía.



12. Cierre la puerta.

**i** Si la prenda aún presenta una humedad residual después del secado,

- arranque nuevamente el programa y
- reduzca la duración del secado, dependiendo del grado de humedad residual.

### Agregar ropa

1. Abra la puerta.  
El ciclo de secado se para.
2. Agregue o quite la ropa.
3. Cierre la puerta.
4. Seleccione otro programa si hace falta, utilizando el selector correspondiente (ver la tabla de programas en la página 69 hacia adelante).
5. Presione el botón **Start**.  
Se enciende el indicador luminoso **On**.

### Programado del temporizador

Puede retrasarse el programa hasta en 19 horas.

Ajuste el temporizador como sigue:

1. Seleccione el programa deseado utilizando el **selector de programas**.
2. Presione el botón **Start in**.  
En el display se visualiza **0h**.



**i** El display centellea hasta que se presiona **Start** o se gira el **selector de programas** a «Off».



3. Presione **Start in** repetidas veces hasta que se visualiza el valor que desea.
4. Presione el pulsador **Start** para memorizar el tiempo y comenzar con la cuenta regresiva.  
Comienza ahora la cuenta decreciente del tiempo ajustado. El punto que se encuentra en el display centellea. La indicación del tiempo decrece en pasos de 1 h.

La puerta puede abrirse en cualquier momento. Esto no afectará el retraso ajustado. El display centellea. El programa continua cuando cierre la puerta y accione el pulsador **Start**.

Puede borrarse o modificarse el retraso en cualquier momento.

1. Gire el **selector de programas** a «Off» (cancela el tiempo programado).
2. Seleccione el programa que necesita utilizando el **selector de programas**.
3. Presione el pulsador **Start** y ajuste otro tiempo si fuera necesario (ver arriba).

# Limpieza y cuidado

## Limpieza del secador

### **PELIGRO**

#### **¡PELIGRO DE EXPLOSIONES!**

Nunca utilice solventes o líquidos altamente inflamables para la limpieza.

### **CUIDADO**

Una limpieza incorrecta, puede dañar el secador. No limpie con chorro de agua a presión. No utilice agentes agresivos o limpiadores multiuso. No utilice limpiadores a vapor.

Friegue la carcasa y el frente con un paño suave y agua con jabón.

Friegue el tambor, la junta de la puerta y el interior del mismo solamente con un paño húmedo.

## Limpiar el filtro para pelusas

Un filtro sucio incrementa el tiempo de secado y aumenta el consumo de energía.

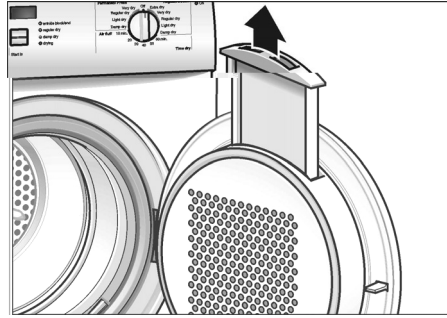
Debe limpiárselo antes y después de cada proceso de secado.

1. Apague el secador. Coloque el selector de programas en «Off».

### **CUIDADO**

La parte interior de la puerta se calienta durante el proceso.

2. Abra la puerta.



3. Quite el filtro.



4. Quite las pelusas pasando la mano sobre el filtro.

El filtro debe aclararse una vez al año, bajo un chorro de agua tibia. Deberá secárselo correctamente antes de volver a colocarlo en su lugar.

5. Coloque el filtro.
6. Cierre la puerta.

## Limpiar el tubo de aire de salida

Inspeccione y limpie la tubería de aire de salida como mínimo una vez al año, para evitar obturaciones. Un tubo de aire de salida parcialmente obturado, puede prolongar los tiempos de secado.

- ❑ Corte el conmutador de alimentación
- ❑ Desconecte el enchufe de alimentación.

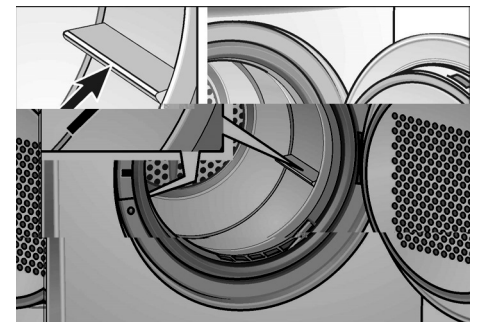
- ❑ Desconecte el tubo del secador.
- ❑ Limpie la salida de aire de escape desde la parte posterior hasta adelante. ¡Asegure que no esté obturada!
- ❑ Vacíe el tubo y vuélvalo a conectar.

## Limpiar el sensor de humedad

Ambos sensores de humedad deben limpiarse porque se ha formado un depósito delgado y transparente sobre los sensores. El depósito puede eliminarse fácilmente, fregando el sensor) mediante un paño y un poco de vinagre blanco.

¡Utilice solamente vinagre blanco! Limpie los sensores una vez al mes.

Los sensores de humedad se encuentran sobre los batidores dentro del tambor.





# Localización de fallos

## PELIGRO

¡Existe riesgo de descargas eléctricas! Eventuales reparaciones debe efectuarlas exclusivamente un técnico autorizado.

Antes de llamar el servicio a clientes, controle la siguiente tabla.

Si es necesario efectuar reparaciones y usted no puede eliminar el fallo mediante la tabla siguiente:

1. Gire el selector de programas a «Off».
2. Corte el conmutador de alimentación.
3. Desenchufe la unidad.
4. Llame al servicio para clientes (consulte la página 74).

Problema	Causa posible	Remedio
El secador no arranca. No se enciende el indicador luminoso <b>On</b> .	El enchufe no está conectado o incorrectamente conectado.	Conecte el enchufe correctamente.
	Se ha quemado un fusible de la alimentación.	Cambie o reponga el fusible.
	No está presionado el botón <b>Start</b> .	Presione el botón <b>Start</b> .
	No fue seleccionado programa alguno.	Seleccione un programa.
	La puerta no está cerrada.	Cierre la puerta.
	La temperatura ambiente está debajo de los 41 °F/5 °C.	Aumente la temperatura del ambiente.
El secador no arranca. El tiempo seleccionado mediante <b>Start in</b> centellea en el display.	El tiempo seleccionado no fue almacenado.	Presione el pulsador <b>Start</b> para memorizar el tiempo y comenzar con la cuenta regresiva.
La puerta se abre sola.	El perno de traba no se ha enganchado.	Presione la puerta hasta que escuche que el perno de traba quede en sus lugar mediante un clic.
Fue interrumpido el programa.	El filtro para pelusas está sucio.	Limpie el filtro para pelusas según se describe en página 72. Apague y vuelva a encender equipo.
	El tubo de aire de salida está obstruido o es demasiado largo.	Limpie el tubo de aire de salida. Reduzca la longitud del tubo de salida de aire a un largo máximo (ver página 61). Apague y vuelva a encender equipo.
	Error en el desarrollo del programa o fallo en la máquina.	Apague el secador, déjelo enfriar por 30 minutos y vuelva a encenderlo. Haga arrancar nuevamente el programa.
	El ambiente o gabinete no posee la ventilación suficiente.	Provea un acceso de aire fresco suficiente. Apague y vuelva a encender equipo.

Problema	Causa posible	Remedio
No se ha logrado el grado de humedad deseado o el tiempo de secado es demasiado largo.	Está sucio el sensor de humedad.	Limpie el sensor de humedad según se describe en la página 72. Apague y vuelva a encender el equipo.
	El tubo de aire de salida está obstruido o es demasiado largo.	Limpie el tubo de aire de salida. Reduzca la longitud del tubo de salida de aire a un largo máximo (ver página 61). Apague y vuelva a encender equipo.
	El filtro para pelusas está sucio.	Limpie el filtro para pelusas según se describe en página 72. Apague y vuelva a encender equipo.
	La ropa está demasiado mojada.	Centrifugue la ropa a mayor velocidad en la máquina de lavar. Apague y vuelva a encender el equipo.
	Se ha seleccionado un programa no admisible.	Seleccione el programa con ayuda de la tabla correspondiente (ver página 69). Apague y vuelva a encender el equipo.
	Se excede el tiempo de secado máximo.	Limpie el filtro para pelusas (ver página 72). Controle la salida de aire. Centrifugue la ropa a mayor velocidad en su lavadora.
	El motor ha excedido la temperatura máxima.	Apague el secador, déjelo enfriar por 30 minutos y vuelva a encenderlo. Haga arrancar el programa.

## SERVICIO y REPARACIONES

### ⚠ CUIDADO ⚠

**CUIDADO** – Identifique todos los cables antes de desconectarlos cuando se efectúan trabajos de servicio. Errores en el cableado pueden causar un funcionamiento incorrecto y peligroso. Controle el correcto funcionamiento después de un service.

El secador no requiere de otros cuidados especiales, aparte de aquellos especificados más arriba.

**i** Si tiene un problema con su secador, antes de llamar el servicio a clientes, consulte la tabla en página 73.

Si se hace necesario un servicio, póngase en contacto con su vendedor, instalador u otro centro de servicios autorizado. No intente reparar el electrodoméstico usted mismo. Cualquier trabajo realizado por personal no autorizado, hará caducar la garantía.

Si tiene problemas y no está conforma con el servicio recibido:

- Primero rogamos ponerse en contacto con su instalador o bien el servicio autorizado y contratado Bosch de su zona, explicando a que se debe su disconformidad. Esto normalmente soluciona el problema.
- Si después del trabajo realizado por su instalador o técnico de servicio el problema no ha sido solucionado a su satisfacción, háganoslo saber, o bien escribiendo a:

BSH Home Appliances  
5551 Mc Fadden Ave.  
Huntington Beach, CA 92649

O bien llámenos a

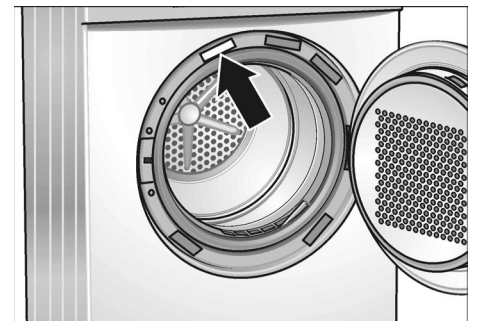
**1-800-944-2904.**

Tanto en caso de escribir o de llamar, asegúrese de incluir o tener a mano la siguiente información:

- Número de modelo
- Número de serie
- Fecha de compra original
- Fecha en la cual ha ocurrido el problema
- Explicación del problema

En caso que nos escriba, rogamos incluir también un número telefónico diurno y una copia de la factura de compra.

Encontrará la información respecto del número de modelo y de serie sobre la chapa de características ubicada en el interior del panel frontal.



# DECLARACIÓN DE GARANTÍA PARA SECADORES PARA ROPA BOSCH

Las garantías brindadas por BSH Home Appliances («Bosch») en esta declaración son aplicables únicamente a secadores Bosch

vendidos al consumidor final por Bosch o sus comerciantes autorizados, revendedores o centros de servicio en los Estados

Unidos o Canadá.  
Las garantías aquí descriptas no son transferibles.

DURACIÓN DE LA GARANTÍA	Alcances de la garantía
Amplia garantía limitada a un año a partir de la fecha de instalación *	Bosch se hará cargo libre de costos de la reparación o reemplazo de cualquier componente que presente defectos en condiciones de uso domiciliario normal, incluyendo los costos de mano de obra y transporte. La reparación cubierta por la garantía deberá efectuarse en un Centro de Servicio Autorizado Bosch.
Garantía limitada a 2 años a partir de la fecha de instalación *	Bosch proveerá piezas de recambio libre de costos para cualquier componente que presente defectos en condiciones de uso domiciliario normal, excluyendo los costos mano de obra.
Garantía limitada a componentes electrónicos por 2 años a partir de la fecha de instalación *	Bosch se hará cargo, libre de costos, de la reparación o reemplazo de placas de microprocesadores o impresoras que presenten defectos en condiciones de uso domiciliario normal comenzando en la fecha de su primera instalación, excluyendo costos de mano de obra.
Garantía limitada por 2 años al motor a partir de la fecha de instalación *	Bosch se hará cargo, libre de costos, de la reparación o reemplazo de todo motor o componente del mismo que presente defectos en condiciones de uso domiciliario normal a partir de la fecha de su primera instalación, excluyendo costos de mano de obra.
* La fecha de instalación se refiere o bien a la fecha de instalación del secador propiamente dicha o a diez días hábiles a partir de la fecha de entrega.	

## Exclusiones

Esta garantía no cubre llamadas de servicio o reparaciones para corregir la instalación del secador, suministrar instrucciones referentes al uso del mismo, reemplazar fusibles domiciliarios o reparaciones de plomería o cableado en el domicilio del usuario o para reparar cualquier secador que fue usada en forma diferente a la normal o usual a la domiciliaria. Adicionalmente, las garantías provistas en esta declaración excluyen todo defecto o daño proveniente de accidente, alteración, uso inadecuado, abuso, instalación inadecuada, trabajos de servicio no autorizado, influencias externas más allá de los alcances de Bosch, como fuego, inundaciones, fuerza mayor, o instalación en desacuerdo con reglas locales de plomería

y electricidad. Costos de mano de obra producidos por la reparación o reemplazo de los secadores después de un período de un año a partir de la fecha de instalación pueden no estar cubiertas por esta garantía. Todas y cada una de la piezas reparadas y/o cambiadas deberán ser originales o autorizadas a los fines de aplicación del período de garantía. DENTRO DEL MARCO DE LA LEY, ESTA GARANTÍA VALE EN LUGAR DE TODA OTRA GARANTÍA IMPLÍCITA O EXPLÍCITA, INCLUYENDO LAS GARANTÍAS IMPLÍCITAS DE COMERCIALIZACIÓN Y APTITUD PARA USOS PARTICULARES. BOSCH NO ASUMIRÁ RESPONSABILIDAD ALGUNA POR DAÑOS INCIDENTALES O DERIVADOS. PARA SOLICITAR SERVICIOS DE GARANTÍA, DIRIGIRSE AL

CENTRO DE SERVICIO BOSCH MAS CERCANO O LLAMAR AL 1-800-944-2904, O ESCRIBIR A:

BSH HOME APPLIANCES, CORP., 5551 MC FADDEN AVENUE HUNGTINGTON BEACH CA 92649.

ASEGÚRESE DE INDICAR EL MODELO DE SU SECADOR, EL NUMERO DE SERIE, FECHA DE ADQUISICIÓN, NOMBRE Y DIRECCIÓN DEL VENDEDOR.

